

SCN □ □ □

□

□

□

□

□

□

□

□

□

①

Series No.

②

Type

③

Contact No.

④

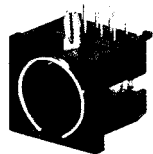
Contact plating

⑤

Terminal plating

⑥

Special option



SCN 551



SCN 553*****10



SCN 553*****20



SCN 554*****10



SCN 554*****20



SCN 556



SCN 560*****10



SCN 560*****20



SCN 570



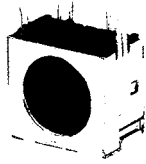
SCN 580



SCN 600**0



SCN 600**S



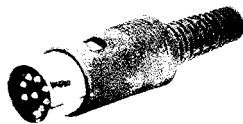
SCN 590



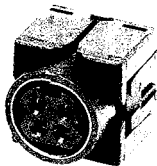
SCN 591



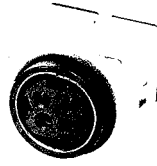
SCN 610



SCN 680



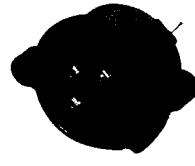
SCN 781S4



SCN 783S4



SCXL 100



SCXL 200



SCXL 300



SCXL 400



SCXL 500

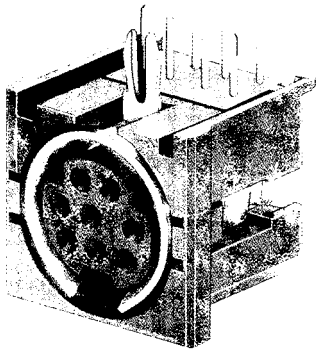


SCXL 600



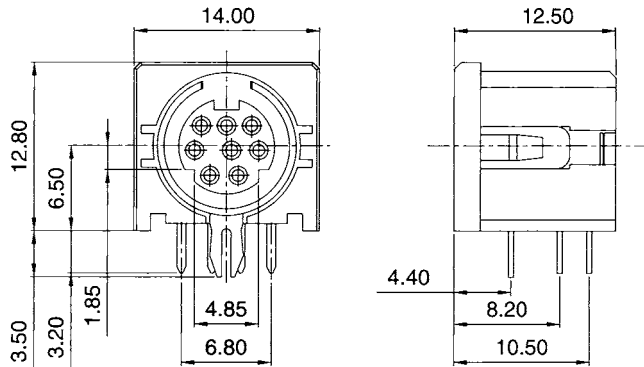
SCXL 700

MINIATURE CIRCULAR DIN JACK



SCN 551

Dimension (m/m)



Circuit	3P	4P	5P	6P	7P	8P	9P
Arrangement of Contact							
P.C.B Layout Jack Bottom View							
P/N	SCN 551S3	SCN 551S4	SCN 551S5	SCN 551S6	SCN 551S7	SCN 551S8	SCN 551S9

Material

- 1. Insulator : PBT(Black,UL94V-0)
- 2. Contact : Phosphor bronze
- 3. Metal Shell : Copper alloy

Specification

- 1. Rating : 100VAC 1A (max.)
12VDC 2A (max.)
- 2. Dielectric withstanding voltage : 500VAC, 60Hz for 1 minute
- 3. Insulation resistance (initial) : 100MΩ (min.) at 500V DC
- 4. Contact resistance (initial) : 30mΩ (max.) at AC100mA(max.) 1KHz
- 5. Insertion & Extraction force :
Initial : 4.5kgs (max.)
Extraction force : 0.9 to 3.0kgs

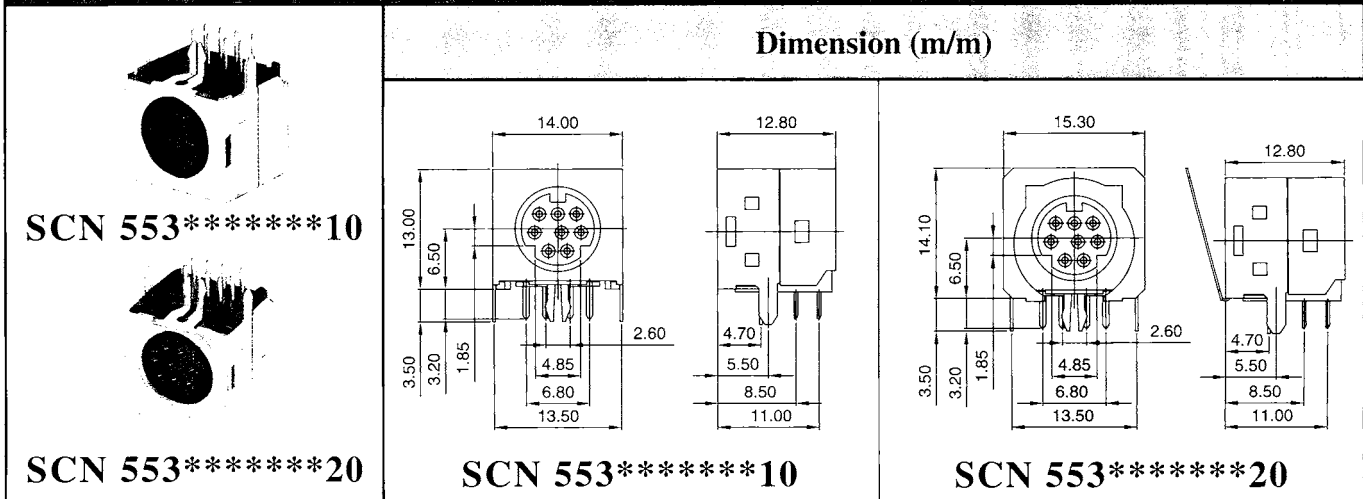
Ordering Information

SCN551

① ② ③ ④ ⑤ ⑥ ⑦ ⑧

- ① : Series No.
- ② : Type
S : Receptacle
- ③ : Contact No.
3 ~ 9
- ④ : Contact plating ("G" is standard)
T : Tin
G : Gold flash
- ⑤ : Terminal plating ("T" is standard)
T : Tin
G : Gold flash
- ⑥ : Grounding plating ("N" is standard)
N : Nickel
T : Tin
G : Gold flash
- ⑦ : Housing color code ("B" is standard)
G : Green L : Purple B : Black U : Blue
- ⑧ : Special option
000 : No special option

MINIATURE CIRCULAR DIN JACK



Circuit	3P	4P	5P	6P	7P	8P	9P
Arrangement of Contact							
P.C.B Layout Jack Bottom View							
P/N	SCN 553S3	SCN 553S4	SCN 553S5	SCN 553S6	SCN 553S7	SCN 553S8	SCN 553S9

Material

- 1. Insulator : PBT(Black,UL94V-0)
- 2. Contact : Phosphor bronze
- 3. Metal Shell : Copper alloy

Specification

- 1. Rating : 100VAC 1A (max.)
12VDC 2A (max.)
- 2. Dielectric withstanding voltage : 500VAC, 60Hz for 1 minute
- 3. Insulation resistance (initial) : 100MΩ (min.) at 500V DC
- 4. Contact resistance (initial) : 30mΩ (max.) at AC100mA(max.) 1KHz
- 5. Insertion & Extraction force :
Initial : 4.5kgs (max.)
Extraction force : 0.9 to 3.0kgs

Ordering Information

SCN553 □ □ □ □ □ □ □ □ □ □
① ② ③ ④ ⑤ ⑥ ⑦ ⑧

- ① : Series No.
- ② : Type
S : Receptacle
- ③ : Contact No.
3 ~ 9
- ④ : Contact plating ("G" is standard)
T : Tin
G : Gold flash
- ⑤ : Terminal plating ("T" is standard)
T : Tin
G : Gold flash
- ⑥ : Grounding plating ("N" is standard)
T : Tin
N : Nickel
- ⑦ : Housing color code ("B" is standard)
G : Green L : Purple B : Black
- ⑧ : Special option
010 : Without grounding shield
020 : With grounding shield

MINIATURE CIRCULAR DIN JACK

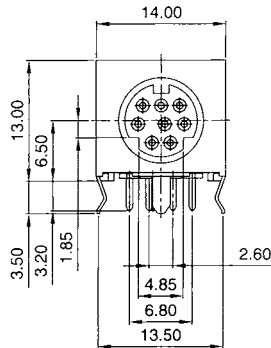


SCN 554*****10

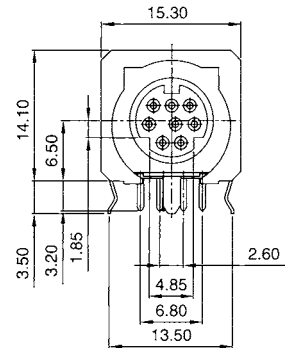
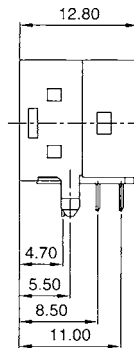


SCN 554*****20

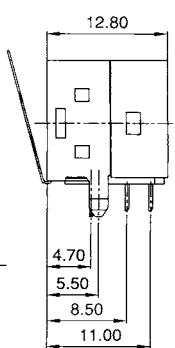
Dimension (m/m)



SCN 554*****10



SCN 554*****20



Circuit	3P	4P	5P	6P	7P	8P	9P
Arrangement of Contact							
P.C.B Layout Jack Bottom View							
P/N	SCN 554S3	SCN 554S4	SCN 554S5	SCN 554S6	SCN 554S7	SCN 554S8	SCN 554S9

Material

- 1. Insulator : PBT(Black,UL94V-0)
- 2. Contact : Phosphor bronze
- 3. Metal Shell : Copper alloy

Specification

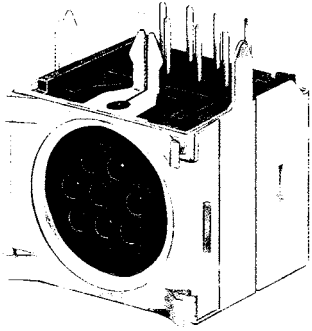
- 1. Rating : 100VAC 1A (max.)
12VDC 2A (max.)
- 2. Dielectric withstanding voltage : 500VAC, 60Hz for 1 minute
- 3. Insulation resistance (initial) : 100MΩ (min.) at 500V DC
- 4. Contact resistance (initial) : 30mΩ (max.) at AC100mA(max.) 1KHz
- 5. Insertion & Extraction force :
Initial : 4.5kgs (max.)
Extraction force : 0.9 to 3.0kgs

Ordering Information

SCN554

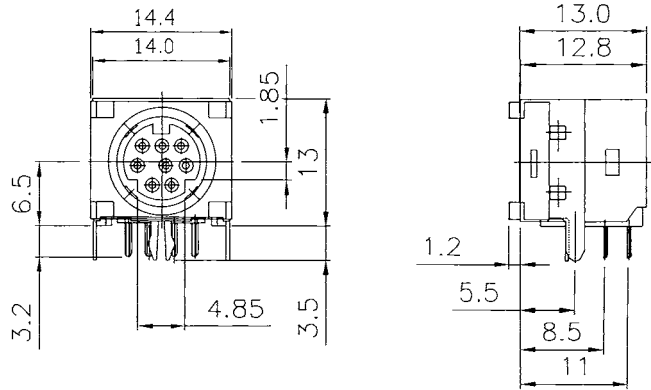
- ① : Series No.
- ② : Type
S : Receptacle
- ③ : Contact No.
3 ~ 9
- ④ : Contact plating ("G" is standard)
T : Tin
G : Gold flash
- ⑤ : Terminal plating ("T" is standard)
T : Tin
G : Gold flash
- ⑥ : Grounding & Shell plating ("N" is standard)
T : Tin
N : Nickel
- ⑦ : Housing color code ("B" is standard)
G : Green L : Purple B : Black
- ⑧ : 010 : Without grounding shield
020 : With grounding shield

MINIATURE CIRCULAR DIN JACK



SCN 556

Dimension (m/m)



Circuit	3P	4P	5P	6P	7P	8P	9P
Arrangement of Contact							
P.C.B Layout Jack Bottom View							
P/N	SCN 556S3	SCN 556S4	SCN 556S5	SCN 556S6	SCN 556S7	SCN 556S8	SCN 556S9

Material

- Insulator : PBT(Black,UL94V-0)
- Contact : Phosphor bronze
- Metal Shell : Copper alloy

Specification

- Rating : 100VAC 1A (max.)
12VDC 2A (max.)
- Dielectric withstanding voltage :
500VAC, 60Hz for 1 minute
- Insulation resistance (initial) :
100MΩ (min.) at 500V DC
- Contact resistance (initial) :
30mΩ (max.) at AC100mA(max.) 1KHz
- Insertion & Extraction force :
Initial : 4.5kgs (max.)
Extraction force : 0.9 to 3.0kgs


Ordering Information

SCN556

① ② ③ ④ ⑤ ⑥ ⑦ ⑧

- Series No.
- Type
S : Receptacle
- Contact No.
3 ~ 9
- Contact plating ("G" is standard)
T : Tin
G : Gold flash
- Terminal plating ("T" is standard)
T : Tin
G : Gold flash
- Grounding & Shell plating ("N" is standard)
T : Tin
N : Nickel
- Housing color code ("B" is standard)
G : Green L : Purple B : Black
- Special option
000 : No special option

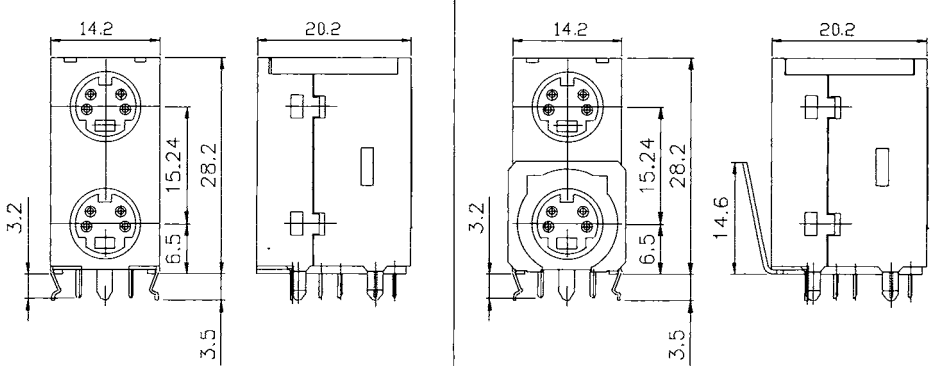
MINIATURE CIRCULAR DIN JACK



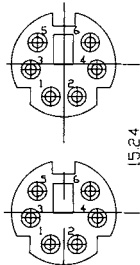
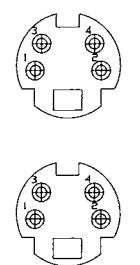
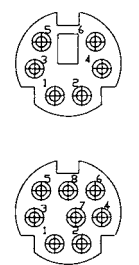
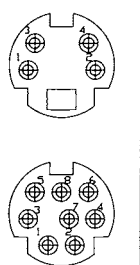
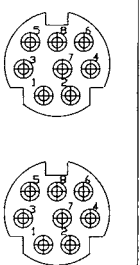
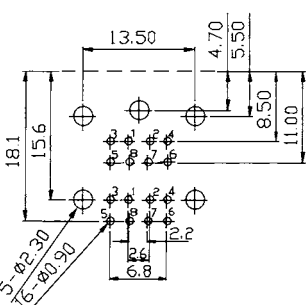
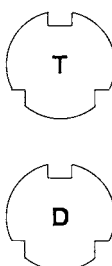
SCN 560***10**

SCN 560***20**

Dimension (m/m)



SCN 560***10** **SCN 560*****20**

Arrangement of Contact					P.C.B Layout Jack Bottom View	Insulator Color Code Arrangement
						
6 × 6 POS.	4 × 4 POS.	6 × 8 POS.	4 × 8 POS.	8 × 8 POS.	8 × 8 POS.	
SCN 560SA	SCN 560SB	SCN 560SC	SCN 560SD	SCN 560SE	SCN 560SE	

Material

- 1. Insulator : PBT(Black,UL94V-0)
- 2. Contact : Phosphor bronze
- 3. Metal Shell : Copper alloy

Specification

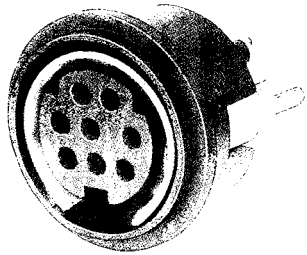
- 1. Rating : 100VAC 1A (max.)
12VDC 2A (max.)
- 2. Dielectric withstanding voltage :
500VAC, 60Hz for 1 minute
- 3. Insulation resistance (initial) :
100MΩ (min.) at 500V DC
- 4. Contact resistance (initial) :
30mΩ (max.) at AC100mA(max.) 1KHz
- 5. Insertion & Extraction force :
Initial : 4.5kgs (max.)
Extraction force : 0.9 to 3.0kgs

Ordering Information

SCN560

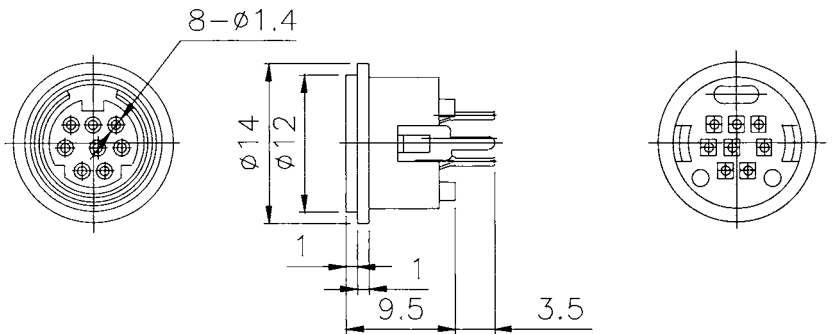
- ① : Series No.
- ② : Type
S : Receptacle
- ③ : Contact No.
A : 6×6, B : 4×4, C : 6×8, D : 4×8, E : 8×8
- ④ : Contact plating ("G" is standard)
T : Tin
G : Gold flash
- ⑤ : Terminal plating ("T" is standard)
T : Tin
G : Gold flash
- ⑥ : Shell plating ("N" is standard)
T : Tin
N : Nickel
- ⑦ : Housing color code (see drawing)
Code arrangement : T→D
G : Green L : Purple B : Black
- ⑧ : Special option
10 : Without grounding shield
20 : With grounding shield

MINIATURE CIRCULAR DIN JACK



SCN 570

Dimension (m/m)



Circuit	3P	4P	5P	6P	7P	8P
Arrangement of Contact						
P.C.B Layout Jack Bottom View						
P/N	SCN 570S3	SCN 570S4	SCN 570S5	SCN 570S6	SCN 570S7	SCN 570S8

Material

- 1. Insulator : PBT(Black,UL94V-0)
- 2. Contact : Phosphor bronze
- 3. Metal Shell : Copper alloy

Specification

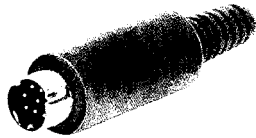
- 1. Rating : 100VAC 1A (max.)
12VDC 2A (max.)
- 2. Dielectric withstanding voltage : 500VAC, 60Hz for 1 minute
- 3. Insulation resistance (initial) : 100MΩ (min.) at 500V DC
- 4. Contact resistance (initial) : 30mΩ (max.) at AC100mA(max.) 1KHz
- 5. Insertion & Extraction force :
Initial : 4.5kgs (max.)
Extraction force : 0.9 to 3.0kgs

Ordering Information

SCN570 □ □ □ □ □ □ □ □
① ② ③ ④ ⑤ ⑥

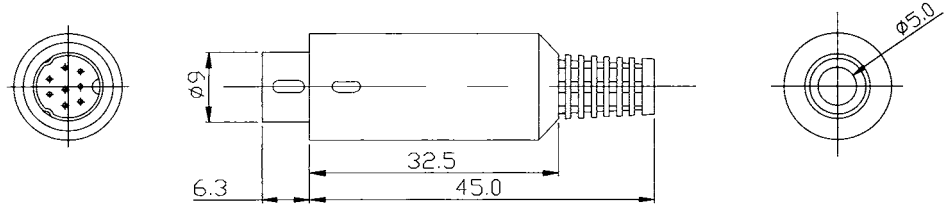
- ① : Series No.
- ② : Type
S : Receptacle
- ③ : Contact No.
3 ~ 8
- ④ : Crourding plating ("N" is standard)
T : Tin
G : Gold flash
N : Nickel
- ⑤ : Terminal plating ("S" is standard)
T : Tin
S : Silver
G : Gold flash
- ⑥ : Special option
00000 : No special option

ASSEMBLY TYPE MINI CIRCULAR DIN PLUGS



SCN 580

Dimension (m/m)



PIN	3P	4P	5P	6P	7P	8P	9P
Arrangement of Contact							
P/N	SCN 580P3	SCN 580P4	SCN 580P5	SCN 580P6	SCN 580P7	SCN 580P8	SCN 580P9

Material

- Insulator : PBT(Black,UL94V-0)
- Contact : Phosphor bronze
- Metal Shell : Copper alloy

Specification

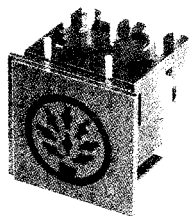
- Rating : 100VAC 1A (max.)
12VDC 2A (max.)
- Dielectric withstanding voltage :
500VAC, 60Hz for 1 minute
- Insulation resistance (initial) :
100MΩ (min.) at 500V DC
- Contact resistance (initial) :
30mΩ (max.) at AC100mA(max.) 1KHz
- Insertion & Extraction force :
Initial : 4.5kgs (max.)
Extraction force : 0.9 to 3.0kgs

Ordering Information

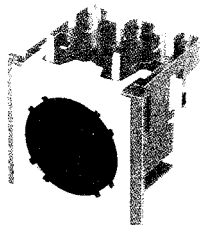
SCN580

- Series No.
- Type
P : Plug
- Contact No.
3 ~ 9
- Contact plating ("N" is standard)
N : Nickel
- Terminal plating ("S" is standard)
T : Tin
G : Gold flash
S : Silver
- Special option
00000 : No special option

CIRCULAR DIN JACK

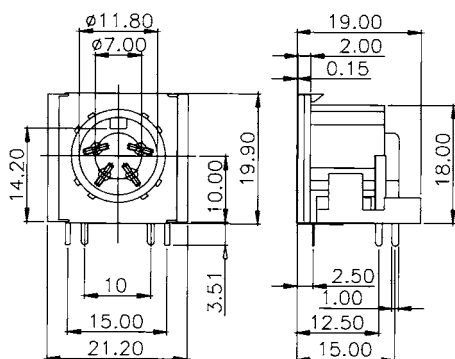


SCN 600**0

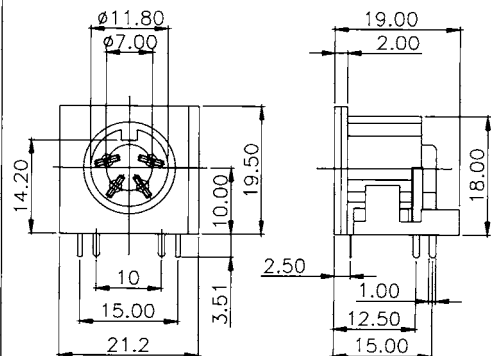


SCN 600**S

Dimension (m/m)



SCN 600**S



SCN 600**0

Circuit	3P	4P	5P	6P	7P	8P
Arrangement of Contact						
P.C.B Layout Jack Bottom View						
P/N	SCN 600S3	SCN 600S4	SCN 600S5	SCN 600S6	SCN 600S7	SCN 600S8

Material

- 1. Insulator : PBT(Black,UL94V-0)
- 2. Contact : Phosphor bronze
- 3. Metal Shell : Copper alloy

Specification

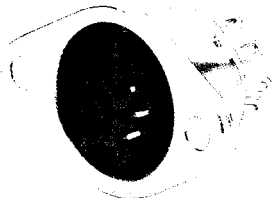
- 1. Rating : 100VAC 1A (max.)
12VDC 2A (max.)
- 2. Dielectric withstanding voltage : 500VAC, 60Hz for 1 minute
- 3. Insulation resistance (initial) : 100MΩ (min.) at 500V DC
- 4. Contact resistance (initial) : 30mΩ (max.) at AC100mA(max.) 1KHz
- 5. Insertion & Extraction force :
Initial : 4.5kgs (max.)
Extraction force : 1.0to 3.5kgs

Ordering Information

SCN600

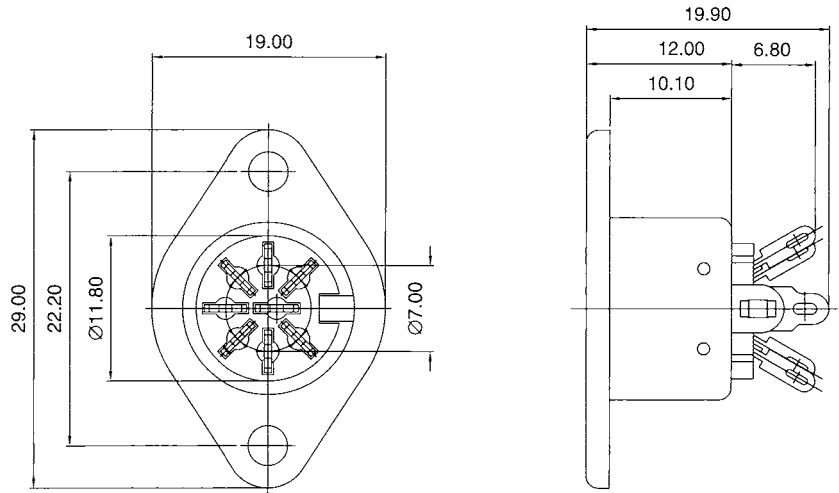
- ① : Series No.
- ② : Type
S : Receptacle
- ③ : Contact No.
3 ~ 8
- ④ : Shell plating ("N" is standard)
S : Silver
T : Tin
G : Gold flash
0 : without shell
N : Nickel
- ⑤ : Terminal plating ("S" is standard)
S : Silver
T : Tin
G : Gold flash
- ⑥ : Special option
00000 : No special option

PANNEL MOUNTING CIRCULAR DIN JACK



SCN 610

Dimension (m/m)



Circuit	4P	5P	6P	7P	8P
Arrangement of Contact					
P/N	SCN 610S4	SCN 610S5	SCN 610S6	SCN 610S7	SCN 610S8

Material

- 1. Insulator : PBT(Black,UL94V-0)
- 2. Contact : Phosphor bronze
- 3. Metal Shell : Copper alloy

Specification

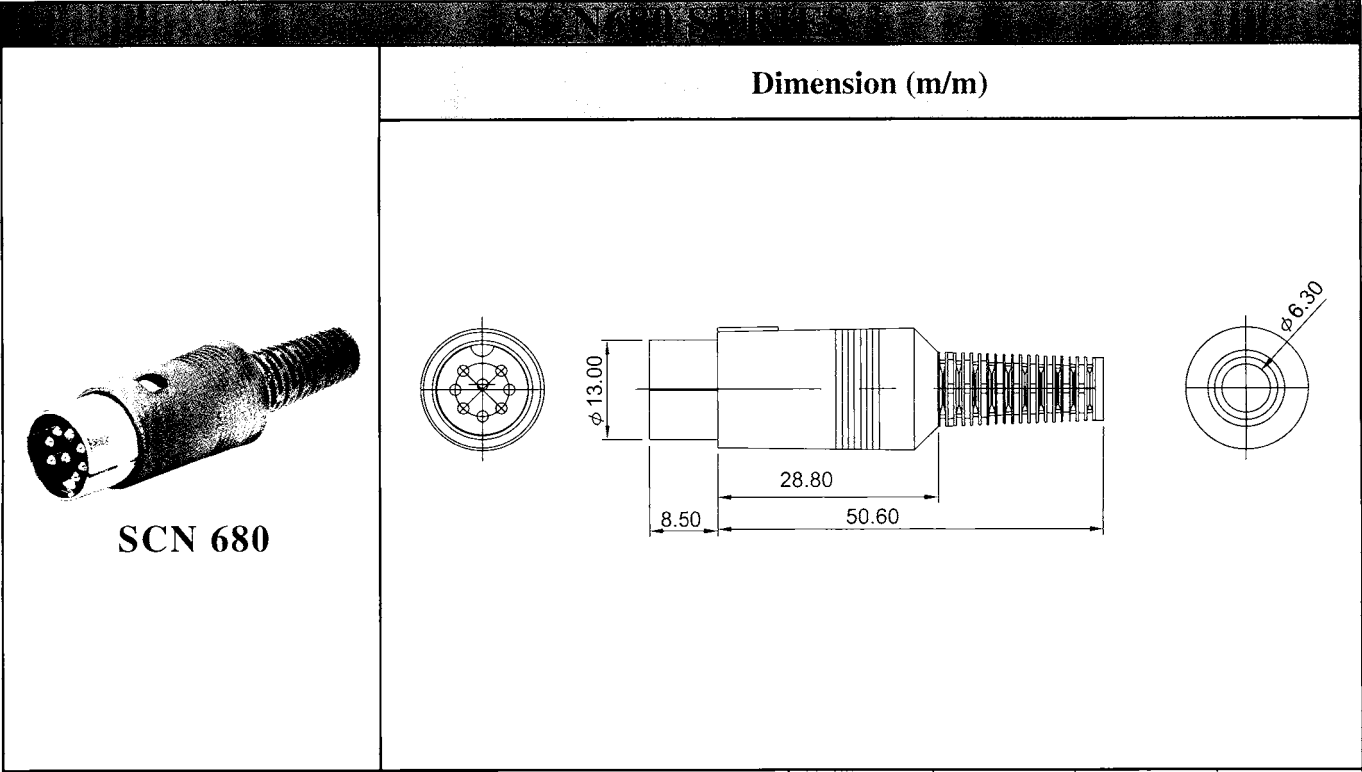
- 1. Rating : 100VAC 1A (max.)
12VDC 2A (max.)
- 2. Dielectric withstanding voltage : 500VAC, 60Hz for 1 minute
- 3. Insulation resistance (initial) : 100MΩ (min.) at 500V DC
- 4. Contact resistance (initial) : 30mΩ (max.) at AC100mA(max.) 1KHz
- 5. Insertion & Extraction force :
Initial : 4.5kgs (max.)
Extraction force : 1.0 to 3.5kgs

Ordering Information

SCN610

- ① : Series No.
- ② : Type
S : Receptacle
- ③ : Contact No.
4 ~ 8
- ④ : Shell plating ("N" is standard)
N : Nickel
T : Tin
G : Gold flash
- ⑤ : Terminal plating ("S" is standard)
S : Silver
T : Tin
G : Gold flash
- ⑥ : Special option
00000 : No special option

ASSEMBLY TYPE CIRCULAR DIN PLUGS



PIN	3P	4P	5P			6P	7P	8P	13P
Arrangement of Contact									
	180°	210°	180°	240°	360°	240°	270°	270°	
P/N	SCN680 P03* 00000	SCN680 P04* 00000	SCN680 P05* 10000	SCN680 P05* 20000	SCN680 P05* 30000	SCN680 P06* 00000	SCN680 P07* 00000	SCN680 P08* 00000	SCN680 P013* 00000

Material

- 1. Insulator : PBT(Black,UL94V-0)
- 2. Contact : Phosphor bronze
- 3. Metal Shell : Copper alloy

Specification

- 1. Rating : 100VAC 1A (max.)
12VDC 2A (max.)
- 2. Dielectric withstanding voltage : 500VAC, 60Hz for 1 minute
- 3. Insulation resistance (initial) : 100MΩ (min.) at 500V DC
- 4. Contact resistance (initial) : 30mΩ (max.) at AC100mA(max.) 1KHz
- 5. Insertion & Extraction force :
Initial : 4.5kgs (max.)
Extraction force : 0.9 to 3.0kgs

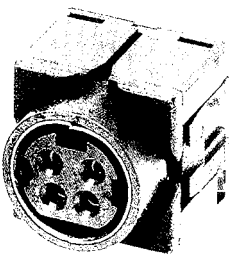
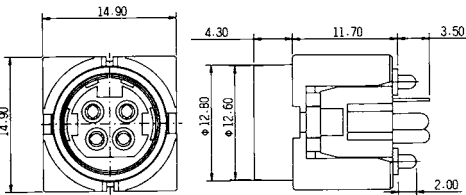
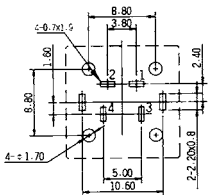
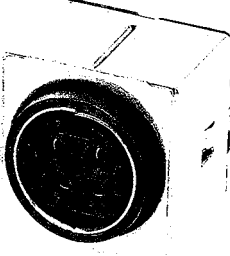
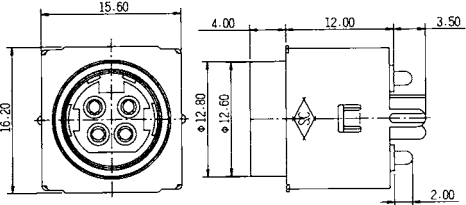
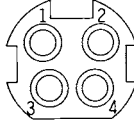
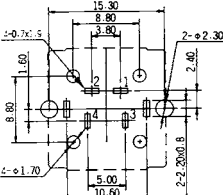
Ordering Information

SCN680

① ② ③ ④ ⑤ ⑥

- ① : Series No.
- ② : Type
P : Plug
- ③ : Contact No.
3 ~ 13
- ④ : Contact plating ("N" is standard)
N : Nickel
- ⑤ : Terminal plating ("N" is standard)
N : Nickel
T : Tin
G : Gold flash
- ⑥ : Special option
1000 : 5P, 180° Type
2000 : 5P, 240° Type
3000 : 5P, 360° Type

MINIATURE CIRCULAR DIN JACK

	P/N	Dimension (m/m)	Arrangement of Contact	Pin Hole Layout (Jack Bottom View)
 <p data-bbox="140 643 280 684">SCN781</p>	SCN781			
 <p data-bbox="140 1205 280 1246">SCN783</p>	SCN783			

Material

- 1. Insulator : PBT(Black,UL94V-0)
- 2. Contact : Phosphor bronze
- 3. Metal Shell : Copper alloy

Specification

- 1. Rating : 100VAC 1A (max.)
12VDC 2A (max.)
- 2. Dielectric withstanding voltage : 500VAC, 60Hz for 1 minute
- 3. Insulation resistance (initial) : 100MΩ (min.) at 500V DC
- 4. Contact resistance (initial) : 30mΩ (max.) at AC100mA(max.) 1KHz
- 5. Insertion & Extraction force :
Initial : 4.5kgs (max.)
Extraction force : 0.9 to 3.0kgs

Ordering Information

SCN781

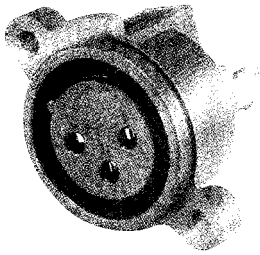
① ② ③ ④ ⑤ ⑥ ⑦ ⑧

- ① : Series No.
SCN781/SCN783
- ② : Type
S : Receptacle
- ③ : Contact No. 4:4P
- ④ : Contact plating ("N" is standard)
T : Tin
G : Gold flash N : Nickel
- ⑤ : Terminal plating ("S" is standard)
T : Tin S : Silver
G : Gold flash
- ⑥ : Grounding & Shell plated
T : Tin N : Nickel
SCN781 : "0" Only(Without shell)
- ⑦ : Housing color code ("B" is standard)
- ⑧ : Special option
000 : No special option
001:Shell's flat grounding pin (for against EMI)
003:Shell's Kink rounding pin(for against EMI)

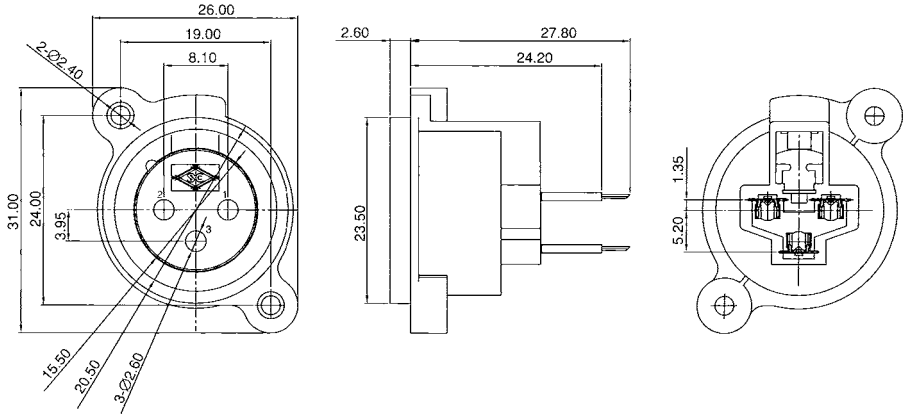
XLR JACK

SCXL100 SERIES

Dimension (m/m)

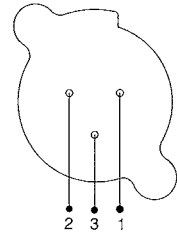
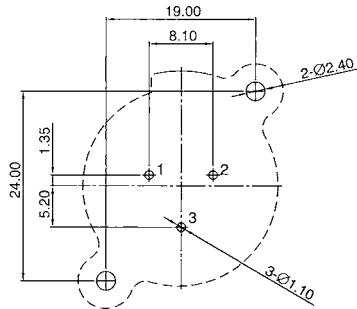


SCXL100



Pin Hole Layout (Jack Bottom View)

Schematic Code



Material

- 1. Insulator : Thermoplastic PBT
Black,UL94V-0 Rated
- 2. Contact : Phosphor bronze
- 3. Metal Shell : Copper alloy

Specification

- 1. Rating : 250V AC
6A
- 2. Dielectric withstanding voltage :
1500V DC
- 3. Insulation resistance (initial) :
2.1MΩ (min.) at 500V DC
- 4. Contact resistance (initial) :
4mΩ (max.) at AC10mA(max.) 1KHz
- 5. Insertion & Extraction force :
Extraction force : 0.5 to 4.0kgs

Ordering Information

SCXL100

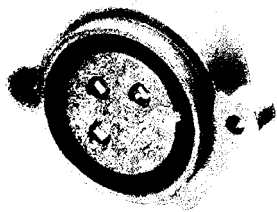
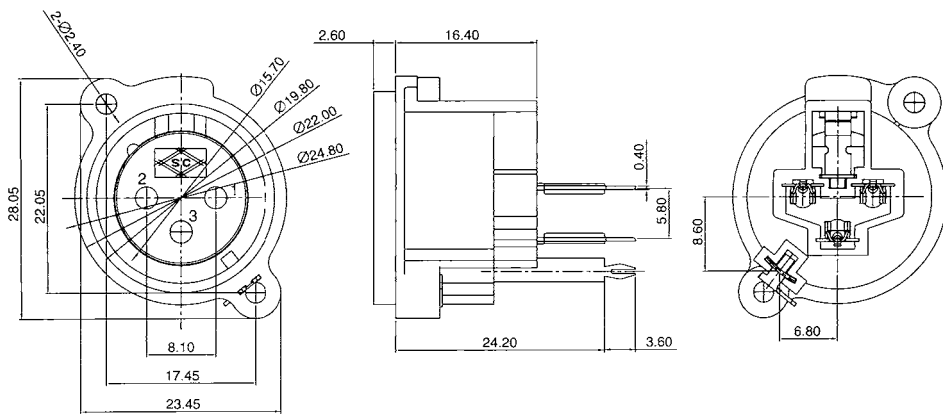
① ② ③ ④ ⑤ ⑥ ⑦

- ① : Series No.
- ② : Type
F:Female
- ③ : Contact No.
3:3P
- ④ : Contact plating ("B" is standard)
B:Black nickel
N:Nickel
- ⑤ : Terminal plating ("G" is standard)
G:Gold flash
- ⑥ : Grounding pin plating: ("N" is standard)
N:Nickel
0:Without grounding pin
- ⑦ : Special option
000:No special option

XLR JACK

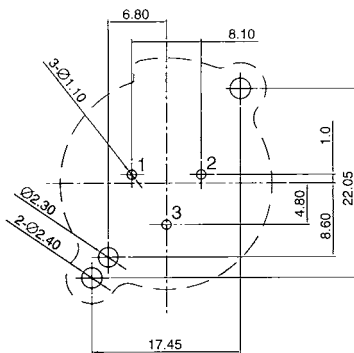
SCXL200 SERIES

Dimension (m/m)

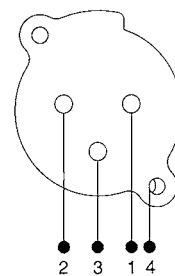


SCXL200

Pin Hole Layout (Jack Bottom View)



Schematic Code



Material

- Insulator : Thermoplastic PBT
Black, UL94V-0 Rated
- Contact : Phosphor bronze
- Metal Shell : Copper alloy

Specification

- Rating : 250V AC
6A
- Dielectric withstanding voltage : 1500V DC
- Insulation resistance (initial) : 2.1MΩ (min.) at 500V DC
- Contact resistance (initial) : 4mΩ (max.) at AC10mA(max.) 1KHz
- Insertion & Extraction force :
Extraction force : 0.5 to 4.0kgs

Ordering Information

SCXL200

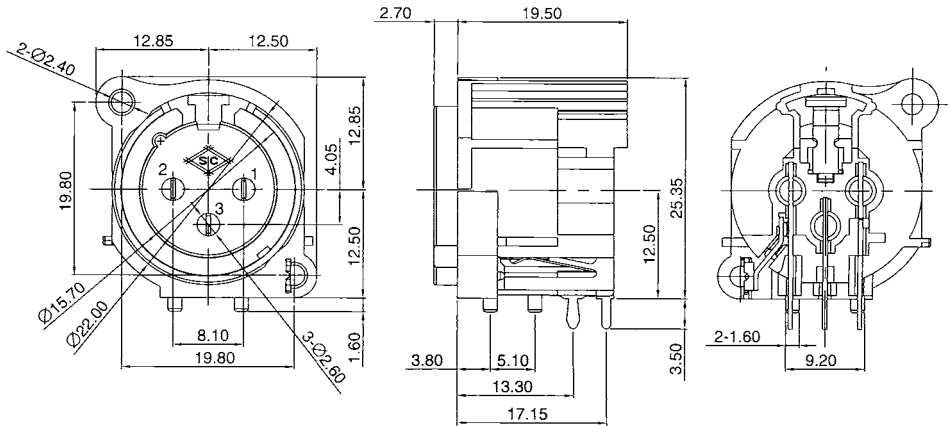
① ② ③ ④ ⑤ ⑥ ⑦

- Series No.
- Type
F:Female
- Contact No.
3:3P
- Contact plating ("B" is standard)
B:Black nickel
N:Nickel
- Terminal plating ("G" is standard)
G:Gold flash
- Grounding pin plating: ("N" is standard)
N:Nickel
0:Without grounding pin
- Special option
000:No special option

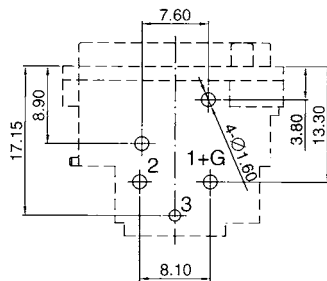
XLR JACK

SCXL300 SERIES

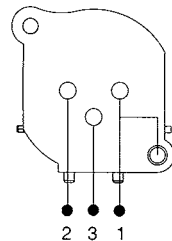
Dimension (m/m)



Pin Hole Layout (Jack Bottom View)



Schematic Code



SCXL300

Material

- 1. Insulator : Thermoplastic PBT
Black,UL94V-0 Rated
- 2. Contact : Phosphor bronze
- 3. Metal Shell : Copper alloy

Specification

- 1. Rating : 250V AC
6A
- 2. Dielectric withstanding voltage :
1500V DC
- 3. Insulation resistance (initial) :
2.1MΩ (min.) at 500V DC
- 4. Contact resistance (initial) :
4mΩ (max.) at AC10mA(max.) 1KHz
- 5. Insertion & Extraction force :
Extraction force : 0.5 to 4.0kgs

Ordering Information

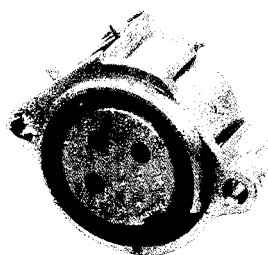
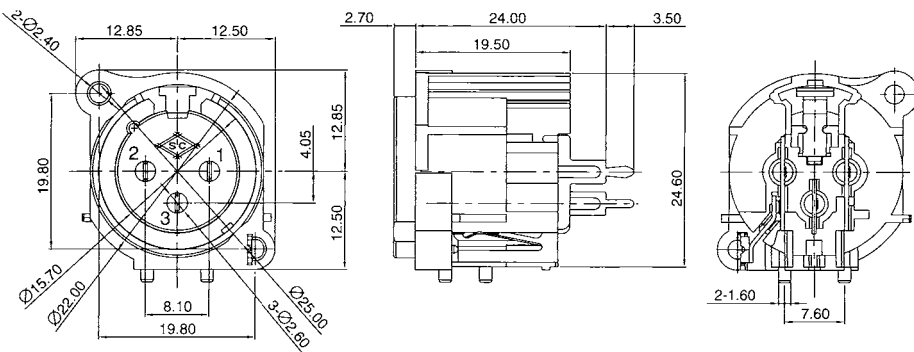
SCXL300

- ① : Series No.
- ② : Type
F:Female
- ③ : Contact No.
3:3P
- ④ : Contact plating ("B" is standard)
B:Black nickel
N:Nickel
- ⑤ : Terminal plating ("G" is standard)
G:Gold flash
- ⑥ : Grounding pin plating: ("N" is standard)
N:Nickel
0:Without grounding pin
- ⑦ : Special option
000:No special option

XLR JACK

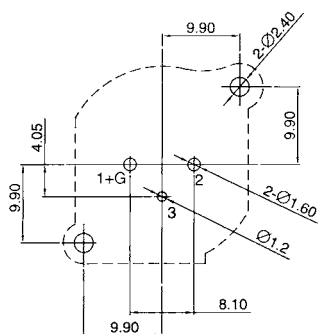
SCXL400 SERIES

Dimension (m/m)

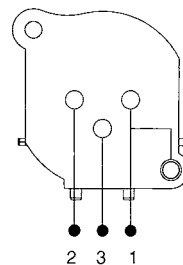


SCXL400

Pin Hole Layout (Jack Bottom View)



Schematic Code



Material

1. Insulator : Thermoplastic PBT
Black,UL94V-0 Rated
2. Contact : Phosphor bronze
3. Metal Shell : Copper alloy

Specification

1. Rating : 250V AC
6A
2. Dielectric withstanding voltage :
1500V DC
3. Insulation resistance (initial) :
2.1MΩ (min.) at 500V DC
4. Contact resistance (initial) :
4mΩ (max.) at AC10mA(max.) 1KHz
5. Insertion & Extraction force :
Extraction force : 0.5 to 4.0kgs

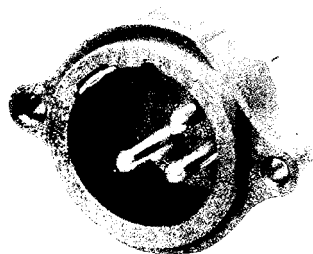
Ordering Information

SCXL400

- ① : Series No.
- ② : Type
F:Female
- ③ : Contact No.
3:3P
- ④ : Contact plating ("B" is standard)
B:Black nickel
N:Nickel
- ⑤ : Terminal plating ("G" is standard)
G:Gold flash
- ⑥ : Earth pin plating: ("N" is standard)
N:Nickel
0:Without earth pin
- ⑦ : Special option
000:No special option

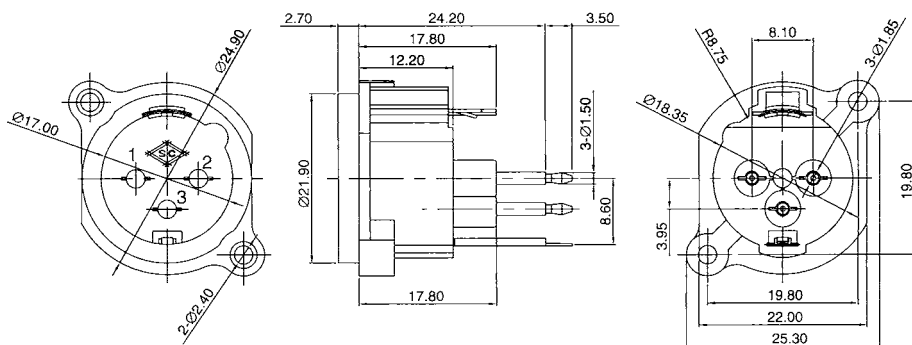
XLR JACK

SCXL500 SERIES

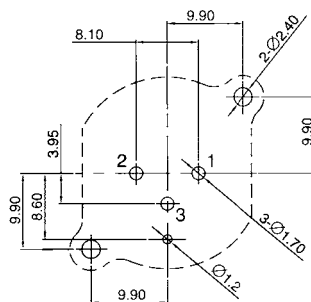


SCXL500

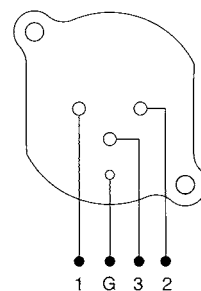
Dimension (m/m)



Pin Hole Layout (Jack Bottom View)



Schematic Code



Material

- Insulator : Thermoplastic PBT
Black, UL94V-0 Rated
- Contact : Phosphor bronze
- Metal Shell : Copper alloy

Specification

- Rating : 250V AC
6A
- Dielectric withstanding voltage :
1500V DC
- Insulation resistance (initial) :
 $2.1M\Omega$ (min.) at 500V DC
- Contact resistance (initial) :
 $4m\Omega$ (max.) at AC10mA(max.) 1KHz
- Insertion & Extraction force :
Extraction force : 0.5 to 4.0kgs

Ordering Information

SCXL500

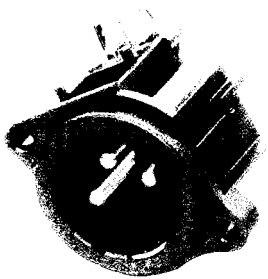
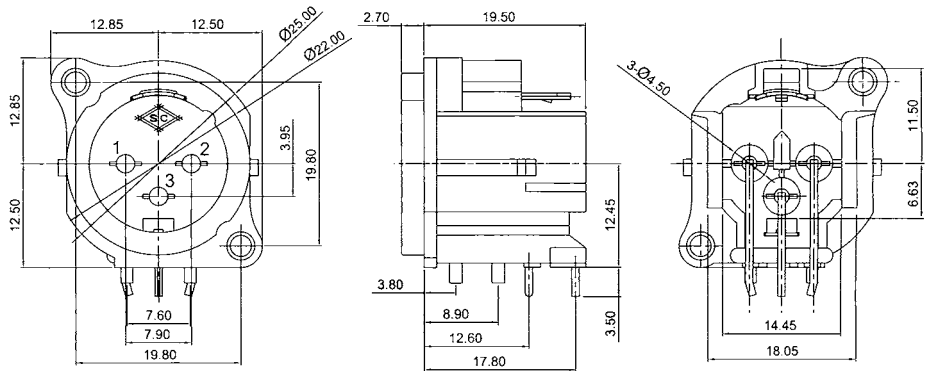
① ② ③ ④ ⑤ ⑥ ⑦

- ① : Series No.
- ② : Type
M:Male
- ③ : Contact No.
3:3P
- ④ : Contact plating ("N" is standard)
B:Black nickel
N:Nickel
- ⑤ : Terminal plating ("G" is standard)
G:Gold flash
- ⑥ : Grounding pin plating: ("N" is standard)
N:Nickel
0:Without grounding pin
- ⑦ : Special option
000:No special option

XLR JACK

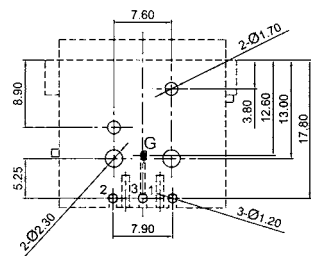
SCXL700 SERIES

Dimension (m/m)

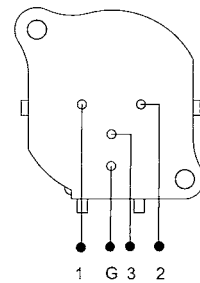


SCXL700

Pin Hole Layout (Jack Bottom View)



Schematic Code



Material

- 1. Insulator : Thermoplastic PBT
Black,UL94V-0 Rated
- 2. Contact : Phosphor bronze
- 3. Metal Shell : Copper alloy

Specification

- 1. Rating : 250V AC
6A
- 2. Dielectric withstanding voltage :
1500V DC
- 3. Insulation resistance (initial) :
2.1MΩ (min.) at 500V DC
- 4. Contact resistance (initial) :
4mΩ (max.) at AC10mA(max.) 1KHz
- 5. Insertion & Extraction force :
Extraction force : 0.5 to 4.0kgs

Ordering Information

SCXL700

- ① : Series No.
- ② : Type
M:Male
- ③ : Contact No.
3:3P
- ④ : Contact plating ("N" is standard)
B:Black nickel
N:Nickel
- ⑤ : Terminal plating ("G" is standard)
G:Gold flash
- ⑥ : Grounding pin plating: ("N" is standard)
N:Nickel
0:Without grounding pin
- ⑦ : Special option
000:No special option