

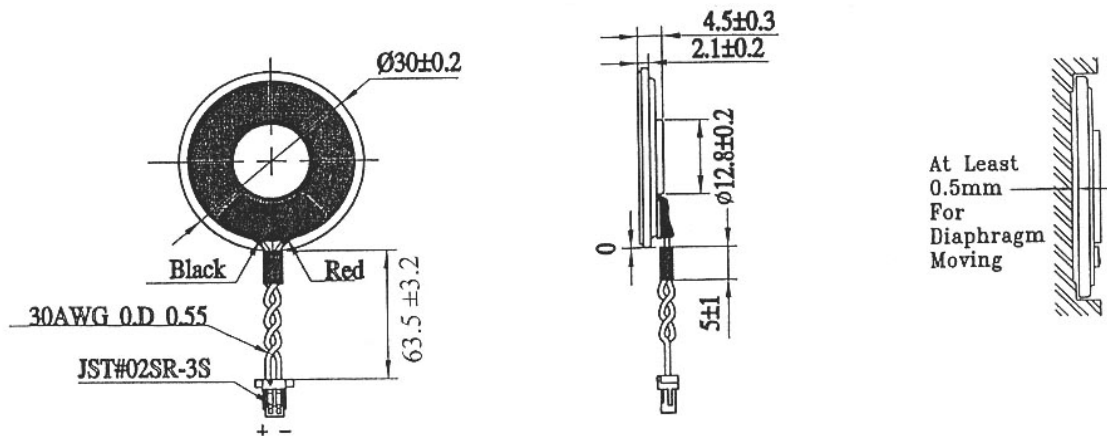


SHOKAI FAR EAST LTD.

9 Elena Court – Cortlandt Manor NY 10567 USA 914-736-3500 Fax: 914-736-3656
 e-mail: sales@shokaifareast.com http://www.shokaifareast.com

SPEAKER SPECIFICATION

P/N F30M98BR	Specification	Test Condition
Size	30mm (per drawing)	
Weight	5.0 Gram	
Magnet	Rare Earth 9.5 x 1.5MM	
Rated Power	0.5 Watt	
Maximum Power	1.0 Watt	
Operation	Must Be Normal After Test	2.83V Sine Wave
Load Test	Must Be Normal After Test	2.83V White Noise 24 hours
Voice Coil Impedance	8 ohms \pm 15%	At 1.0KHz.
Lowest Resonant Freq.	630Hz \pm 126Hz	Without Baffle
Frequency Response	300-6500Hz (within 10dB)	Without Baffle
Output SPL	81dB \pm 3dB (@ 800, 1K, 1.2, 1.5KHz)	At 1W 1M
Distortion	5% max.	At 1KHz 0.5W
Heat Test	Must Be Normal After Test	At 70°C \pm 2°C for 72 hrs.
Humidity Test	Must Be Normal After Test	At 40°C \pm 2°C 90 – 95% relative humidity for 72 hrs.
Operating Temp.	-25°C - +60°C	
Storage Temp.	-40°C - +70°C	
Polarity	Diaphragm must move forward when positive DC current applied to the "+" terminal	
Cone Material	Mylar	
Frame Material	Metal	
RoHS Compliance	Yes	
See Drawing Below		



dB SPL
/2.83V

distance Loudsp. Mic.: 10 cm dB SPL normalised on 1 Meter.

