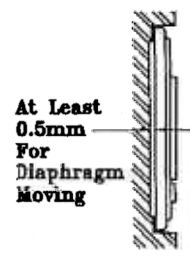
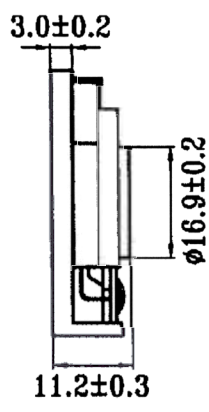
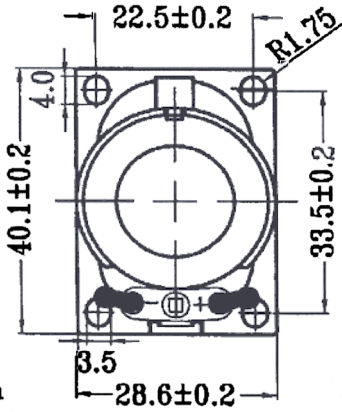
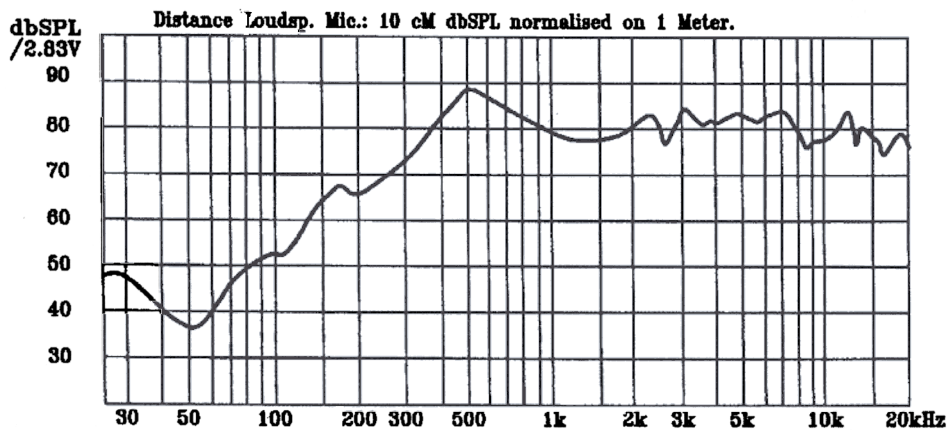


1	MODEL	2840CP08B(GP)			
2	Dimension	28X40X11.2H	Weight	13.0	Gram.
3	Magnet	Materials Rare Earth	Size	ø12.5X2.0	mm.
4	Nominal Impedance	8 Ohm	± 15 %	At 1000	Hz
5	Power Rating	Normal 1.0	W.	Maximum 2.0	W.
6	Lowest Resonant Frequency	430	±	86	Hz
7	Output Sound Pressure Level (S.P.L.)	81 ± 3 db / 1 Watt 1 Meter.			
		Average at 600,800,1000,1200 Hz			
8	Frequency Range	280~20K	Hz.	Average SPL-10	db.
9	Distortion	5 %	Maximum At	1000	Hz 1.0 W.
10	Abnormal Sound Test	Must be Normally Tested By 2.83 Volts Sine Wave.			
11	Load Test	White Noise with Weighted Filter 2.83 Volts. (RMS) 96 Hrs.			
12	Operation Temperature	-25°C ~ +70°C 16 Hours.			
13	Storage Temperature	-40°C ~ +85°C 2 Hours.			
14	Polarity	Diaphragm shall move Forward when Apply a Positive DC			
		Current to the "+" or "Marked" Terminal.			
15	Remarks	Above specifications on the strength of CNS4784 and CNS4785.			



Unit:mm

0211C