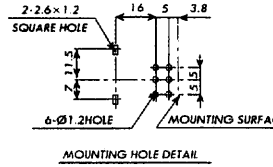
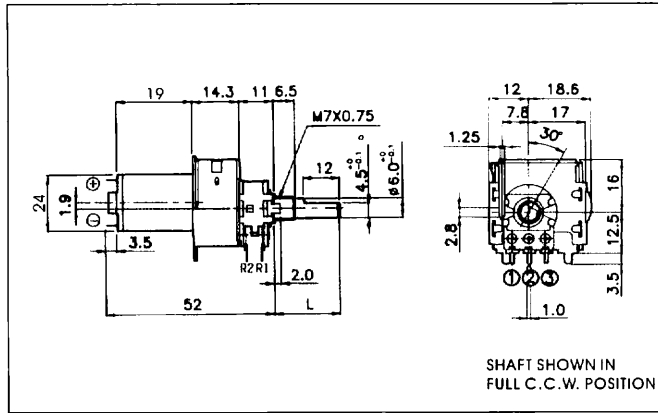
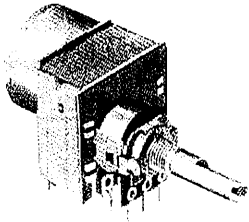


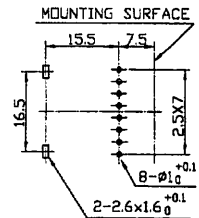
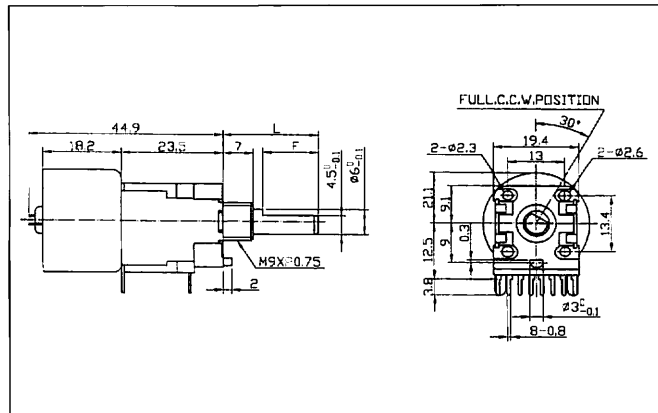
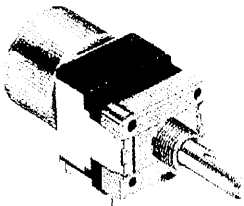
**RC-1601 (雙聯)**

Dual Units



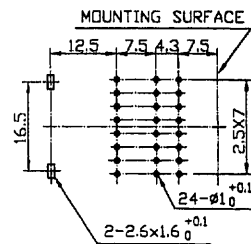
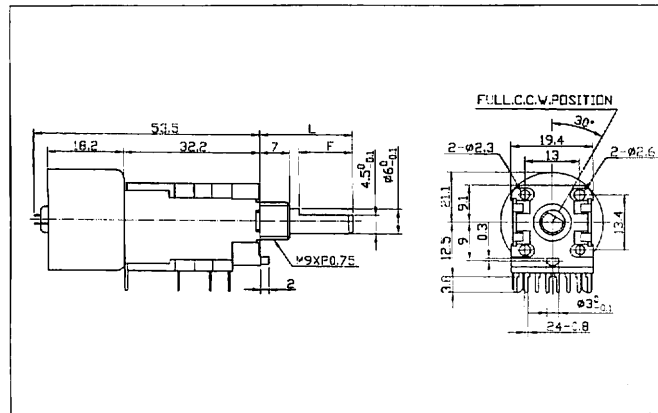
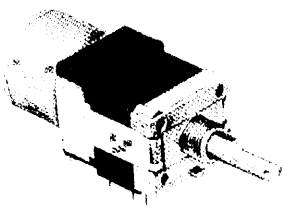
**RC-1601S (雙聯封密式)**

Dual Units Sealed Type



**RC-1603S (六聯封密式)**

6Ganged Sealed Type



NOTE:

Standard Type

RC-1601: Dual Units

RC-1602: 4-Ganged

RC-1603: 6-Ganged

Sealed Type

RC-1601S: Dual Units

RC-1602S: 4-Ganged

RC-1603S: 6-Ganged

RC-1604S: 8-Ganged

## Feature

Potentiometers for various audio products can be remote-controlled.  
Permits motor driving and manual operation.

## Applications

For volume control in amplifiers, CD players, radio-cassettes, VCD, DVD, etc

## Specifications

### Potentiometer section

Same as the 16T series.

Please see page 29 for potentiometer section specification

16T系列：請查看第29頁規格。

### Motor section

:

Rotational Torque (gf/cm) 迴轉扭力	100~450 gf.cm
Motor Voltage (VDC) 馬達使用電壓	4~6VDC (4.5VDC Standard)
Rotational Speed 轉速(sec/300°)	12±3 sec./300° (at 4.5VDC applied to motor)
Max. Operating Current 最高使用電流(mA)	100mA max. (at rotation) 150mA max. (at end slip)
Insulation Resistance 絕緣電壓	1MΩ min (at 100VDC)

### Precautions when using the Motor-driven Potentiometer:

Avoid using the potentiometer in silicon or cyanogenbasegas atmospheres. Otherwise, the motor may not operate properly. When using additives, grease and silicon rubber in the same set, pay attention to their composition.

Avoid connecting the fixed resistance in series with the motor in the motor circuit. When starting up the motor, there may be cases where driving voltage drops, causing a starting failure.

When soldering motor terminals, be careful not to apply load in the direction of pressing in the terminals. As motor terminals are constructed integral with contacts, a contact failure may occur.

Avoid using the potentiometer below specified voltage. If there is necessity of reducing the rotational speed, please consult us.