

**SCD**

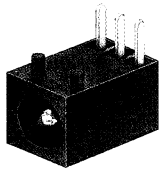
①  
Series No.

②  
Center  
pin  
diameter

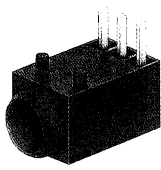
③  
Schematic

④  
Terminal  
plating

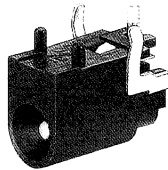
⑤  
Special  
option



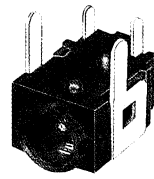
**SCD 410**



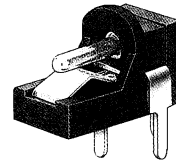
**SCD 411**



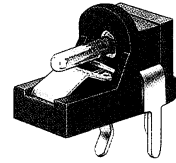
**SCD 425**



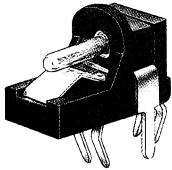
**SCD 412**



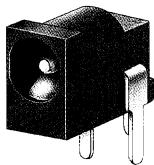
**SCD 415A\*\*001000**



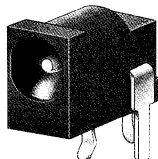
**SCD 415A\*\*003000**



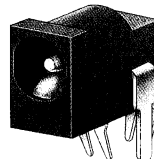
**SCD 415A\*\*005000**



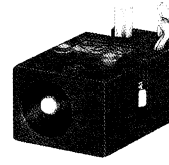
**SCD 420A\*\*001000**



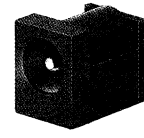
**SCD 420A\*\*003000**



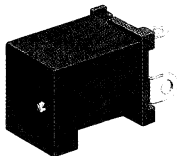
**SCD 420A\*\*005000**



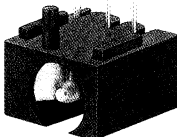
**SCD 430**



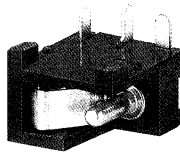
**SCD 435**



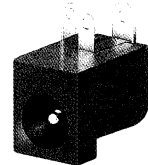
**SCD 437**



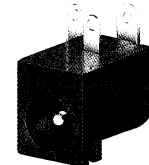
**SCD 447**



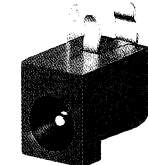
**SCD 450  
SCD 451**



**SCD 438\*\*011000**



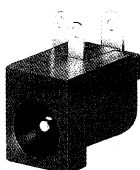
**SCD 438\*\*031000**



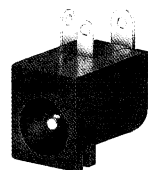
**SCD 438\*\*013000**



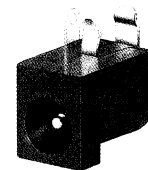
**SCD 438\*\*033000**



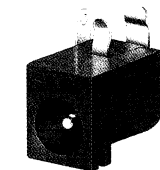
**SCD 441\*\*011000**



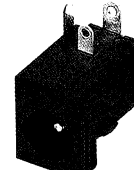
**SCD 441\*\*031000**



**SCD 441\*\*013000**


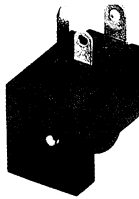

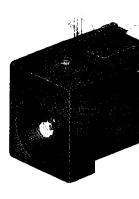
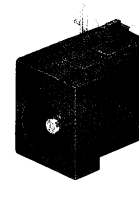
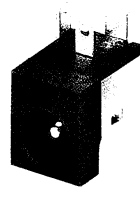
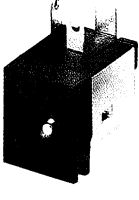
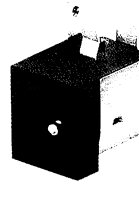
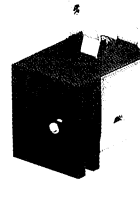







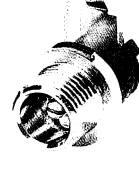



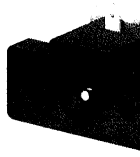
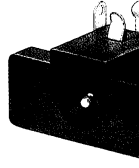


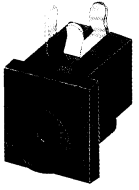

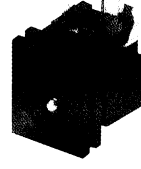

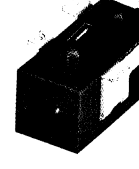
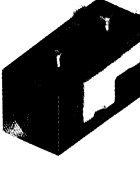
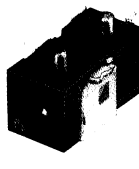
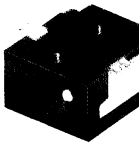
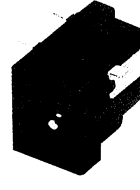
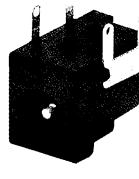
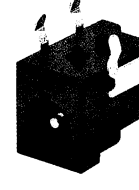

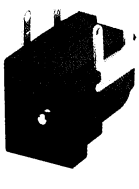


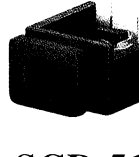




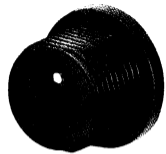
**SCD 441\*\*033000**



**SCD 442\*\*011000**

# DC POWER JACK

					
SCD 442***013000	SCD 443***011000	SCD 443***013000	SCD 445	SCD 446	SCD 453***011B00
					
SCD 453***031B00	SCD 453***013B00	SCD 453***033B00	SCD 454***001000	SCD 454***003000	SCD 554***001000
					
SCD 554***003000	SCD 456***111B00	SCD 456***113B00	SCD 456***131B00	SCD 456***133B00	SCD 556***111B00
					
SCD 556***113B00	SCD 452	SCD 457	SCD 458***003000	SCD 460***000000	SCD 460***00S000
					
SCD 461	SCD 462	SCD 465	SCDP 310	SCD 470	SCD 471
					
SCD 472	SCD 473	SCD 480***000000	SCD 480***011000	SCD 480***013000	SCD 481***000000
					
SCD 481***011000	SCD 481***013000	SCD 510	SCD 513	SCD 516	SCD 519



**SCD 522**



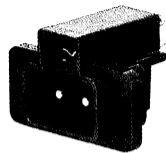
**SCD 523**



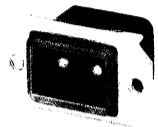
**SCD 525**



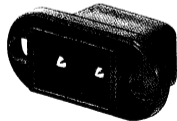
**SCD 528**



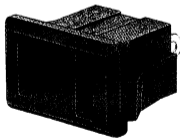
**SCS 400B**



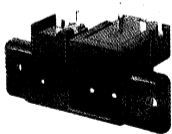
**SCS 401**



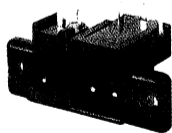
**SCS 402**



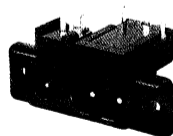
**SCS 403**



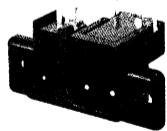
**SCS 042A**



**SCS 042B**



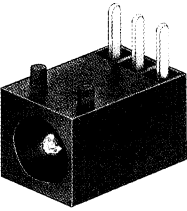
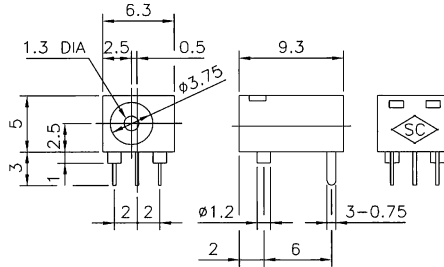
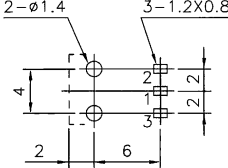
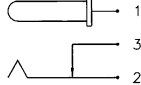
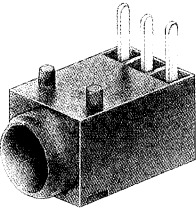
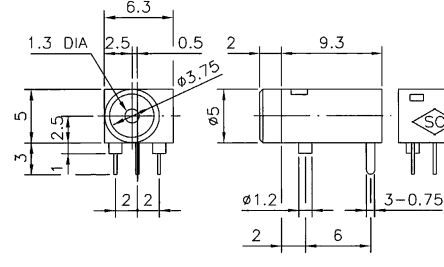
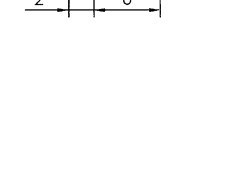

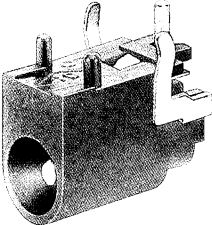
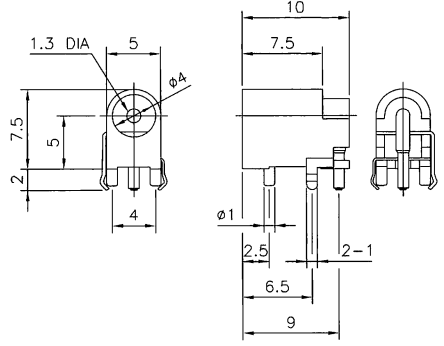
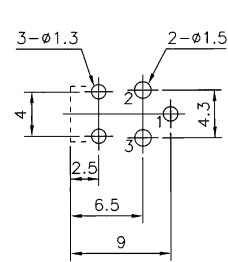
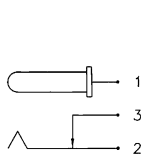
**SCS 042C**



**SCS 042D**

# DC POWER JACK ( CENTER PIN: Ø1.3 )

## SCD410/SCD411/SCD425 SERIES

	P/N	Dimension (m/m)	Pin Hole Layout (Jack Bottom View)	Schematic Code : C
 <b>SCD 410</b>	SCD 410			
 <b>SCD 411</b>	SCD 411			
 <b>SCD 425</b>	SCD 425			
<b>Note : Schematic Code No. C = Normal Close Type .</b>				

### Construction

1. Housing : Thermoplastic
2. Center pin : Nickel plating.
3. Terminal : Brass / Copper Alloy

### Specification

1. Rating: 0.5A 12VDC
2. Withstanding voltage:  
AC 500V, 60Hz for 1 minute
3. Insulation resistance (initial):  
100M  $\Omega$  (min.) at 500V DC
4. Contact resistance (initial):  
30m  $\Omega$  (max.) at AC 100mA(max.) 1KHz
5. Insertion & Extraction force:  
Initial : 0.3 to 3.0Kgs  
After life test : 0.2 to 3.0Kgs
6. Life test:  
5,000 cycles unloading (20-30 cycle/minute)

### Ordering Information

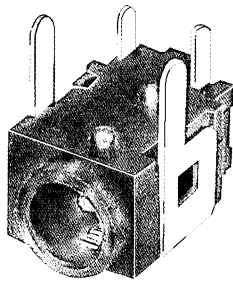
SCD410                               

    ①        ②        ③        ④        ⑤

- ① : Series No.  
SCD410 / SCD411 / SCD425
- ② : Center pin diameter  
A : Ø1.3mm
- ③ : Schematic ("C" only)  
C : Normal close
- ④ : Terminal plating.  
S : Silver (standard)
- ⑤ : Special option  
000000 : No special option

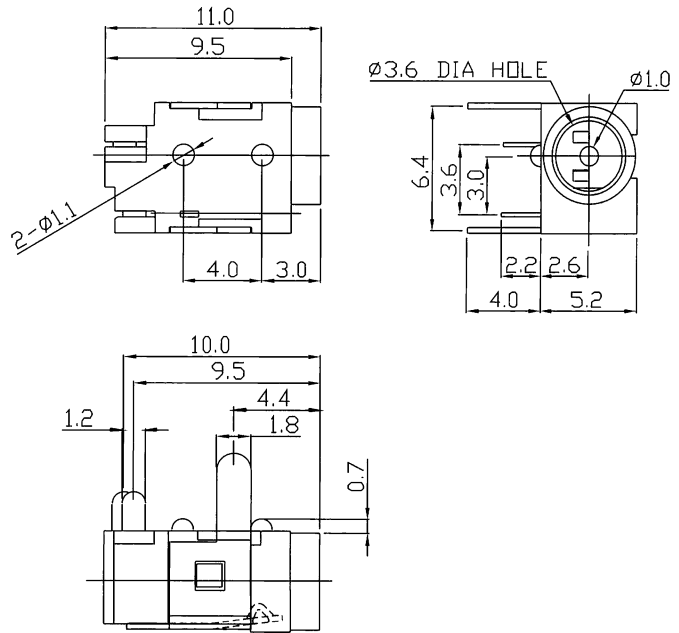
# DC POWER JACK ( CENTER PIN: Ø1.0 )

## SCD412 SERIES

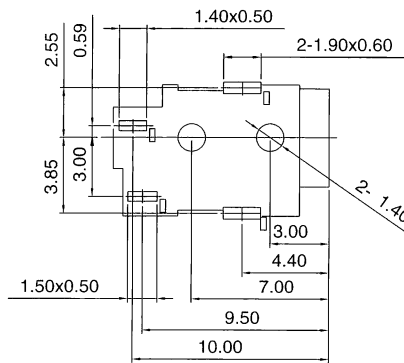


**SCD 412**

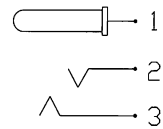
### Dimension (m/m)



### Pin Hole Layout (Jack Bottom View)



### Schematic Code



**L**

### Construction

1. Housing : Thermoplastic
2. Center pin : Nickel plating
3. Terminal : Brass / Copper alloy

### Specification

1. Rating: 0.5A 12VDC
2. Withstanding voltage:  
AC 500V, 60Hz for 1 minute
3. Insulation resistance (initial):  
100MΩ (min.) at 500V DC
4. Contact resistance (initial):  
30mΩ (max.) at AC 100mA(max.) 1KHz
5. Insertion & Extraction force:  
Initial : 0.3 to 3.0Kgs  
After life test : 0.2 to 3.0Kgs
6. Life test:  
5,000 cycles unloading (20-30 cycle/minute)

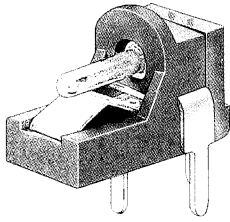
### Ordering Information

**SCD412**

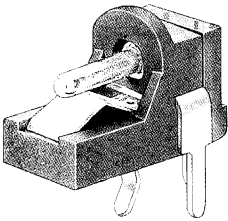
- ① : Series No.
- ② : Center pin diameter  
E : Ø 1.0mm
- ③ : Schematic.  
L : Normal independent
- ④ : Terminal plating.  
F : Foggy tin (standard)
- ⑤ : PCB mounting option("R" is standard)  
R : PCB RT/Angle, through hole type  
M : PCB RT/Angle, SMT type
- ⑥ : Special option  
00000 : No special option

# DC POWER JACK ( CENTER PIN: Ø1.3 )

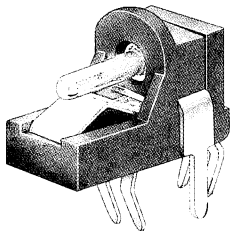
## SCD415 SERIES



SCD 415A \*\*001000

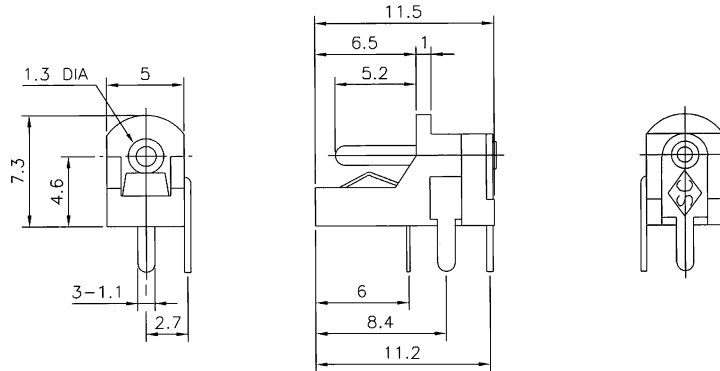


SCD 415A \*\*003000

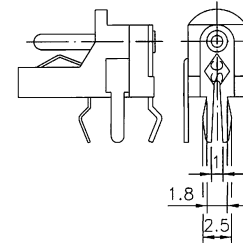
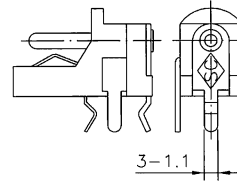
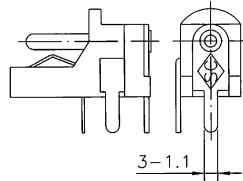


SCD 415A \*\*005000

### Dimension (m/m)



### Solder Tail Option

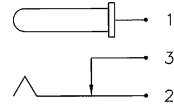


\*\*001000:Flat type

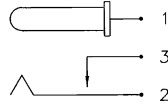
\*\*003000:Kink type

\*\*005000:Hook type

### Schematic Code

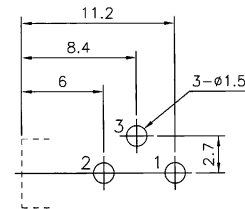


**C:Normal Close**



**P:Normal Open**

### Pin Hole Layout ( Jack Bottom View )



### Construction

1. Housing : Thermoplastic
2. Center pin : Nickel plating
3. Terminal : Brass / Copper alloy

### Specification

1. Rating: 0.5A 12VDC
2. Withstanding voltage:  
AC 500V, 60Hz for 1 minute
3. Insulation resistance (initial):  
100MΩ (min.) at 500V DC
4. Contact resistance (initial):  
30mΩ (max.) at AC 100mA (max.) 1KHz
5. Insertion & Extraction force:  
Initial : 0.3 to 3.0Kgs  
After life test : 0.2 to 3.0Kgs
6. Life test:  
5,000 cycles unloading (20-30 cycle/minute)

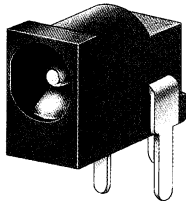
### Ordering Information

**SCD415**

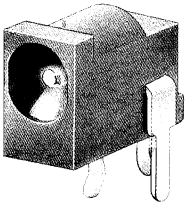
- ① : Series No.  
 ② : Center pin diameter  
 A : Ø 1.3mm  
 ③ : Schematic option  
 C : Normal close  
 P : Normal open  
 ④ : Terminal plating.  
 S : Silver (standard)  
 ⑤ : Solder tail option  
 001000 : Flat type  
 003000 : Kink type  
 005000 : Hook type

# DC POWER JACK ( CENTER PIN: Ø1.3 )

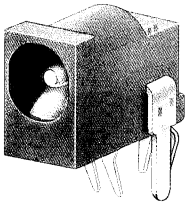
## SCD420 SERIES



SCD 420A \*\*001000

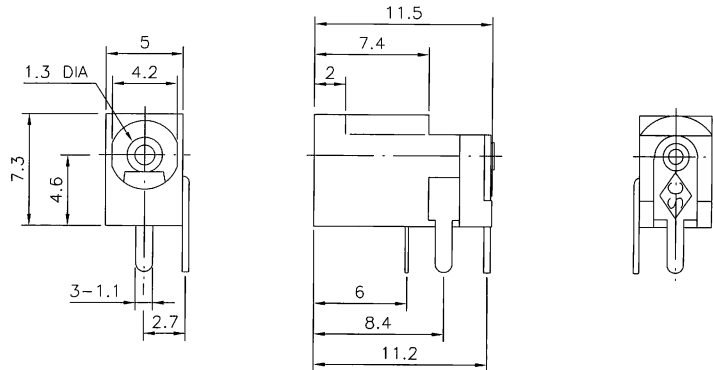


SCD 420A \*\*003000

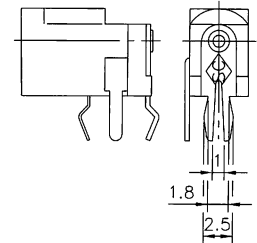
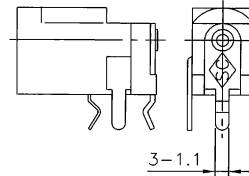
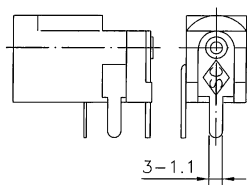


SCD 420A \*\*005000

### Dimension (m/m)



### Solder Tail Option

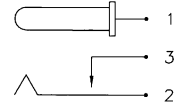
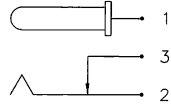


\*\*001000:Flat type

\*\*003000:Kink type

\*\*005000:Hook type

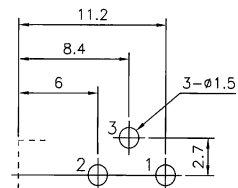
### Schematic Code



**C:Normal  
Close**

**P:Normal  
Open**

### Pin Hole Layout ( Jack Bottom View )



### Construction

1. Housing : Thermoplastic
2. Center pin : Nickel plating
3. Terminal : Brass / Copper alloy

### Specification

1. Rating: 0.5A 12VDC
2. Withstanding voltage:  
AC 500V, 60Hz for 1 minute
3. Insulation resistance (initial):  
100MΩ (min.) at 500V DC
4. Contact resistance (initial):  
30mΩ (max.) at AC 100mA (max.) 1KHz
5. Insertion & Extraction force:  
Initial : 0.3 to 3.0Kgs  
After life test : 0.2 to 3.0Kgs
6. Life test:  
5,000 cycles unloading (20-30 cycle/minute)

### Ordering Information

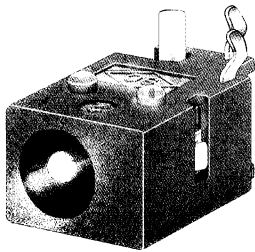
**SCD420**

- ① : Series No.
- ② : Center pin diameter  
A : Ø 1.3mm
- ③ : Schematic option  
C : Normal close  
P : Normal open
- ④ : Terminal plating.  
S : Silver (standard)
- ⑤ : Solder tail option  
001000 : Flat type  
003000 : Kink type  
005000 : Hook type

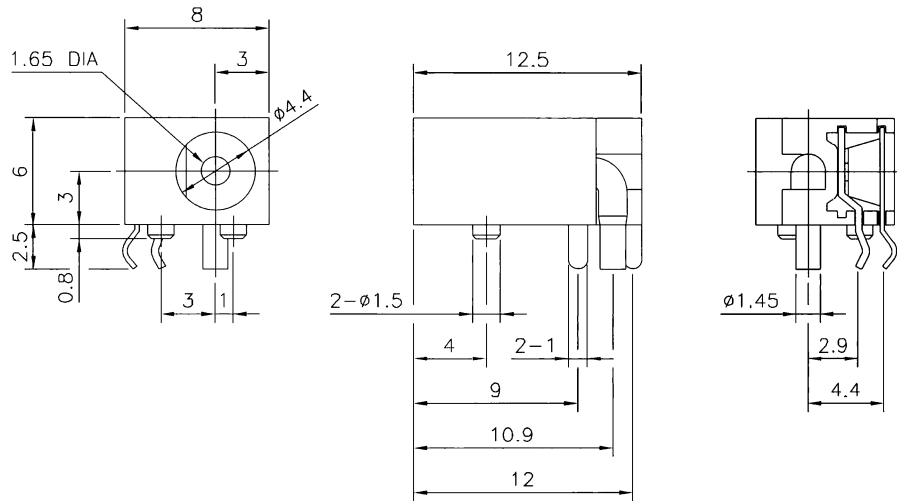
# DC POWER JACK ( CENTER PIN: Ø1.65 )

## SCD430 SERIES

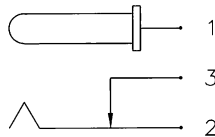
### Dimension (m/m)



SCD 430

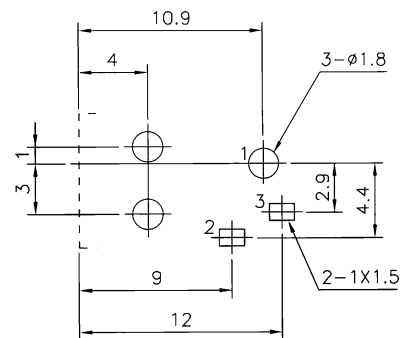


### Schematic Normal Close



C

### Pin Hole Layout ( Jack Bottom View )



### Construction

1. Housing : Thermoplastic
2. Center pin : Nickel plating
3. Terminal : Brass / Copper alloy

### Specification

1. Rating: 1A 12VDC
2. Withstanding voltage:  
AC 500V, 60Hz for 1 minute
3. Insulation resistance (initial):  
100MΩ (min.) at 500V DC
4. Contact resistance (initial):  
30mΩ (max.) at AC 100mA (max.) 1KHz
5. Insertion & Extraction force:  
Initial : 0.3 to 3.0Kgs  
After life test : 0.2 to 3.0Kgs
6. Life test:  
5,000 cycles unloading (20-30 cycle/minute)

### Ordering Information

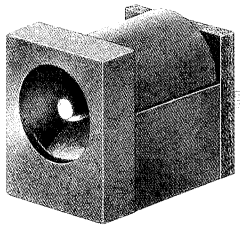
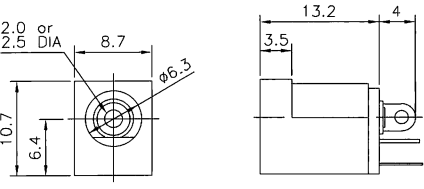
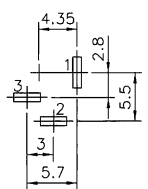
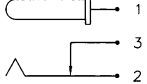
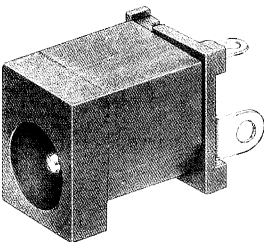
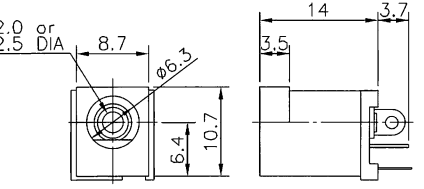
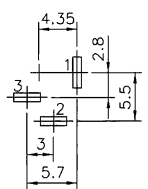
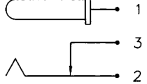
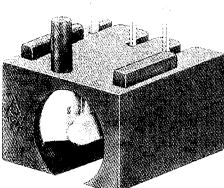
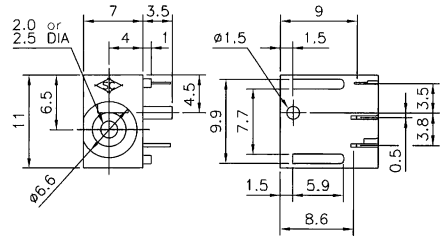
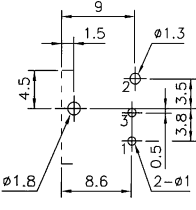
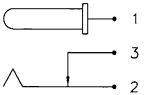
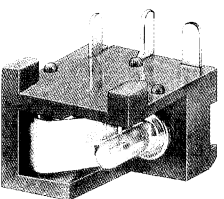
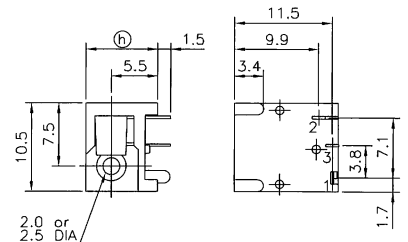
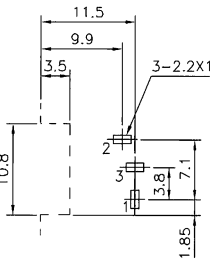
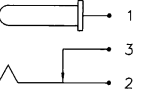
SCD430

- ① : Series No.
- ② : Center pin diameter  
B : Ø 1.65mm
- ③ : Schematic option. ("C" only)  
C : Normal close
- ④ : Terminal plating.  
S : Silver (standard)
- ⑤ : Special option  
000000 : No special option



# DC POWER JACK ( CENTER PIN: Ø2.0/Ø2.5 )

## SCD435 / SCD437 / SCD447 / SCD450 / SCD451 SERIES

	P/N	Dimension (m/m)	Pin Hole Layout (Jack Bottom View)	Schematic Code : C
 <b>SCD 435</b>	SCD 435			
 <b>SCD 437</b>	SCD 437			
 <b>SCD 447</b>	SCD 447			
 <b>SCD 450</b> <b>SCD 451</b>	SCD 450 / SCD 451	 <b>Dim (h) : SCD450 = 8.5mm</b> <b>Dim (h) : SCD451 = 9.5mm</b>		
<b>Note : Schematic Code No. C = Normal Close Type</b>				

### Construction

- Housing : Thermoplastic
- Center pin : Nickel plating
- Terminal : Brass / Copper alloy

### Specification

- Rating: 2A 16VDC
- Withstanding voltage:  
AC 500V, 60Hz for 1 minute
- Insulation resistance (initial):  
100MΩ (min.) at 500V DC
- Contact resistance (initial):  
30mΩ (max.) at AC 100mA (max.) 1KHz
- Insertion & Extraction force:  
Initial : 0.3 to 3.0Kgs  
After life test : 0.2 to 3.0Kgs
- Life test:  
5,000 cycles unloading (20-30 cycle/minute)

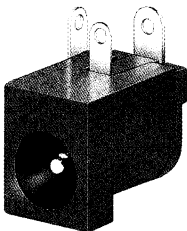
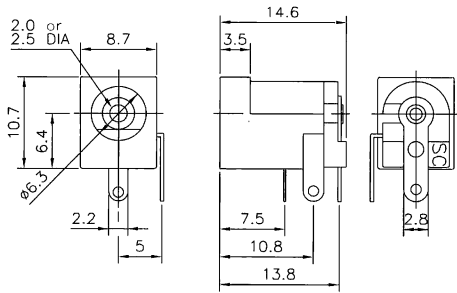
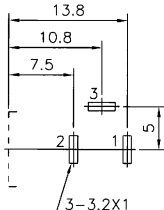
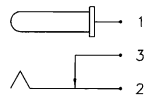
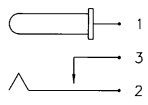
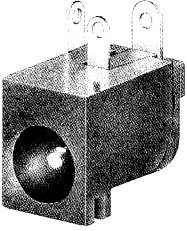
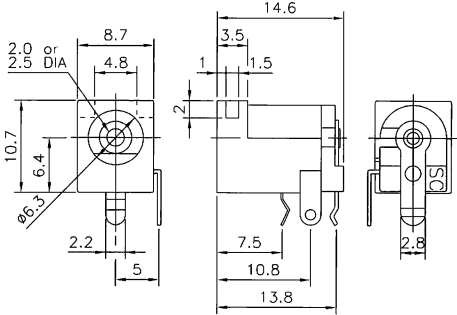
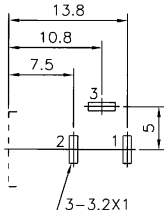
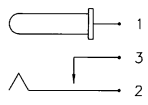

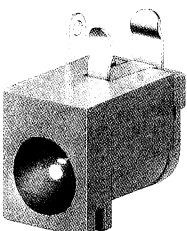
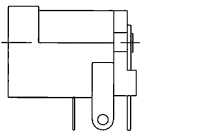
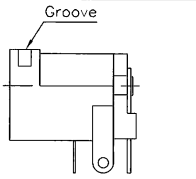
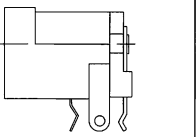
### Ordering Information

**SCD435**

①      ②      ③      ④      ⑤

- ① : Series No.  
SCD435/SCD437/SCD447/SCD450/SCD451
- ② : Center pin diameter  
C : Ø 2.0mm  
D : Ø 2.5mm
- ③ : Schematic ("C" only)  
C : Normal close
- ④ : Terminal plating. ("S" is standard)  
S : Silver  
T : Tin
- ⑤ : Special option  
000000 : No special option

# DC POWER JACK ( CENTER PIN: Ø2.0/Ø2.5 )

SCD438 SERIES				
	P/N	Dimension (m/m)	Pin Hole Layout (Jack Bottom View)	Schematic Code
 <b>SCD 438***011000</b>	SCD 438***011000			 <b>C : Normal Close</b>
				 <b>P : Normal Open</b>
 <b>SCD 438***031000</b>	SCD 438***033000			 <b>C : Normal Close</b>
				 <b>P : Normal Open</b>
<b>Groove &amp; Solder Tail Option</b>				
 <b>SCD 438***033000</b>				
		<b>011000 : W/O Groove Flat Type</b>	<b>031000 : With Groove Flat Type</b>	<b>013000 : W/O Groove Kink Type</b>

## Construction

- Housing : Thermoplastic
- Center pin : Nickel plating
- Terminal : Brass / Copper alloy

## Specification

- Rating: 2A 16VDC
- Withstanding voltage:  
AC 500V, 60Hz for 1 minute
- Insulation resistance (initial):  
100MΩ (min.) at 500V DC
- Contact resistance (initial):  
30mΩ (max.) at AC 100mA (max.) 1KHz
- Insertion & Extraction force:  
Initial : 0.3 to 3.0Kgs  
After life test : 0.2 to 3.0Kgs
- Life test:  
5,000 cycles unloading (20-30 cycle/minute)

## Ordering Information

**SCD438**

① : Series No.      ② : Center pin diameter

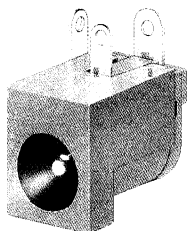
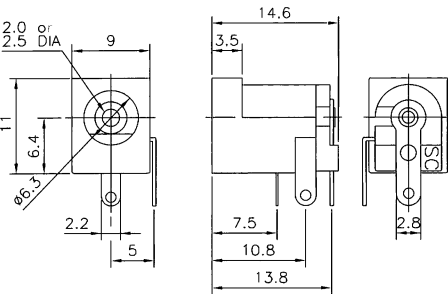
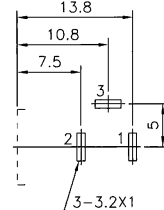
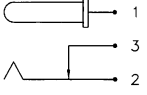
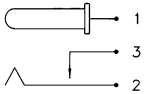
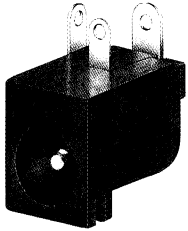
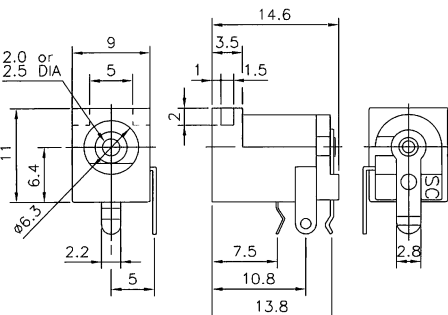
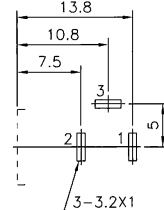
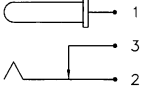
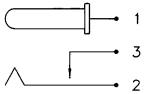
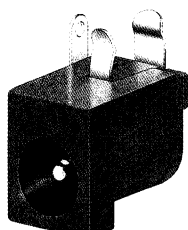
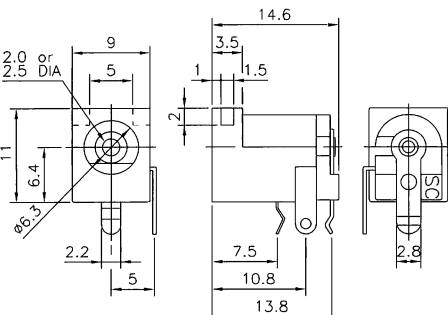
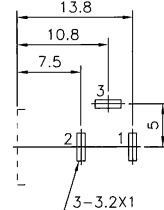
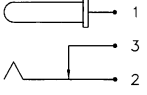
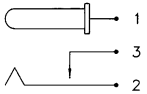
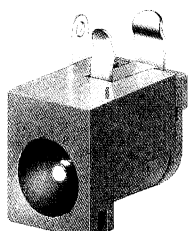
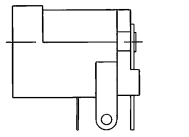
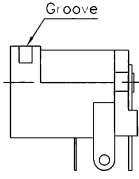
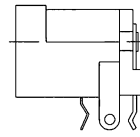
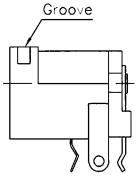
③ : Schematic.  
C : Normal close.  
P : Normal open.

④ : Terminal plating.  
S : Silver (standard)

⑤ : Special option

Code	Groove	Solder tail
011000	W/O Groove	Flat type
031000	With Groove	Flat type
013000	W/O Groove	Kink type
033000	With Groove	Kink type

# DC POWER JACK ( CENTER PIN: Ø2.0/Ø2.5 )

SCD441 SERIES				
P/N	Dimension (m/m)	Pin Hole Layout (Jack Bottom View)	Schematic Code	
 <b>SCD 441 *** 011000</b>			 <b>C : Normal Close</b>	
			 <b>P : Normal Open</b>	
 <b>SCD 441 *** 031000</b>			 <b>C : Normal Close</b>	
			 <b>P : Normal Open</b>	
 <b>SCD 441 *** 013000</b>			 <b>C : Normal Close</b>	
			 <b>P : Normal Open</b>	
 <b>SCD 441 *** 033000</b>	<b>Groove &amp; Solder Tail Option</b>			
				
<b>011000 : W/O Groove Flat Type</b>	<b>031000 : With Groove Flat Type</b>	<b>013000 : W/O Groove Kink Type</b>	<b>033000 : With Groove Kink Type</b>	

## Construction

- Housing : Thermoplastic
- Center pin : Nickel plating
- Terminal : Brass / Copper alloy

## Specification

- Rating: 2A 16VDC
- Withstanding voltage:  
AC 500V, 60Hz for 1 minute
- Insulation resistance (initial):  
100MΩ (min.) at 500V DC
- Contact resistance (initial):  
30mΩ (max.) at AC 100mA (max.) 1KHz
- Insertion & Extraction force:  
Initial : 0.3 to 3.0Kgs  
After life test : 0.2 to 3.0Kgs
- Life test:  
5,000 cycles unloading (20-30 cycle/minute)

## Ordering Information

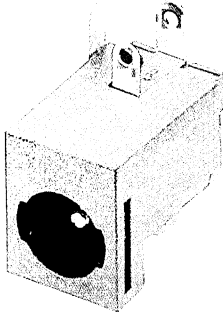
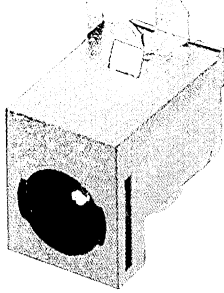
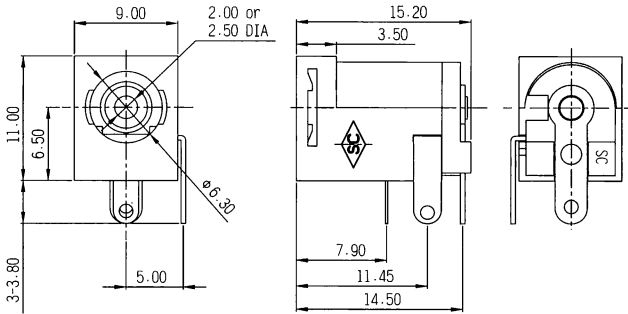
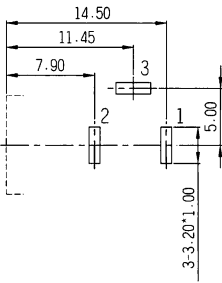
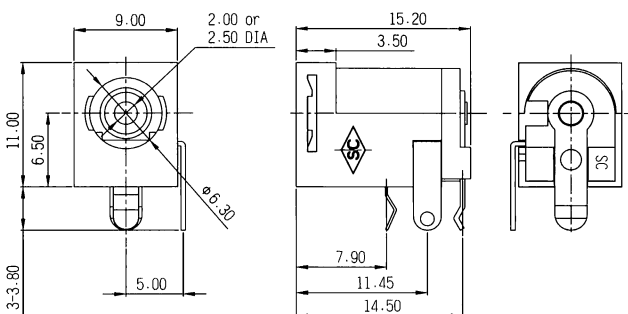
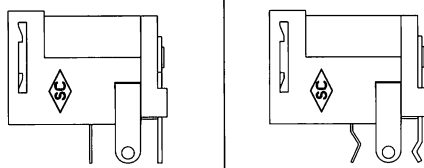
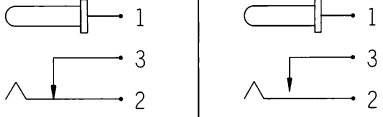
**SCD441**

- ① : Series No.  
 ② : Center pin diameter  
 C : Ø 2.0mm  
 D : Ø 2.5mm  
 ③ : Schematic.  
 C : Normal close.  
 P : Normal open.  
 ④ : Terminal plating.  
 S : Silver (standard)  
 ⑤ : Special option

Code	Groove	Solder tail
011000	W/O Groove	Flat type
031000	With Groove	Flat type
013000	W/O Groove	Kink type
033000	With Groove	Kink type

# DC POWER JACK ( CENTER PIN: Ø2.0/Ø2.5 )

## SCD442 SERIES

	P/N	Dimension (m/m)	Pin Hole Layout (Jack Bottom View)
 <p><b>SCD 442 *** 011000</b> (Lockable Type)</p>  <p><b>SCD 442 *** 013000</b> (Lockable Type)</p>	<b>SCD 442 *** 011000</b>		
	<b>SCD 442 *** 013000</b>		
		Solder Pin Option	Schematic Code
			
		<b>011000 : Flat Type</b>	<b>013000 : Kink Type</b>
		<b>C : Normal Close</b>	<b>P : Normal Open</b>

### Construction

1. Housing : Thermoplastic
2. Center pin : Nickel plating
3. Terminal : Brass / Copper alloy

### Specification

1. Rating: 2A 16VDC
2. Withstanding voltage:  
AC 500V, 60Hz for 1 minute
3. Insulation resistance (initial):  
100MΩ (min.) at 500V DC
4. Contact resistance (initial):  
30mΩ (max.) at AC 100mA (max.) 1KHz
5. Insertion & Extraction force:  
Initial : 0.3 to 3.0Kgs  
After life test : 0.2 to 3.0Kgs
6. Life test:  
5,000 cycles unloading (20-30 cycle/minute)

### Ordering Information

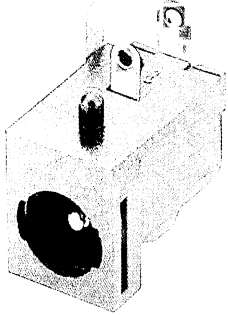
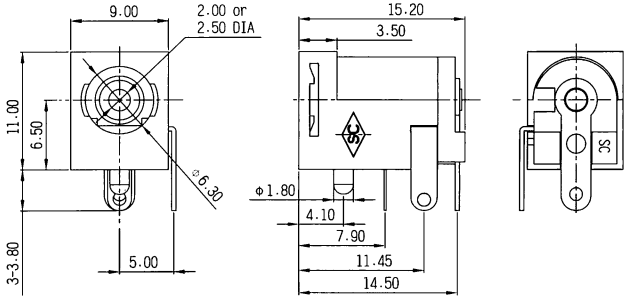
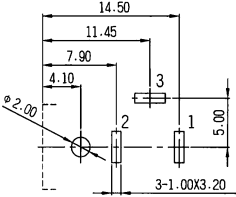
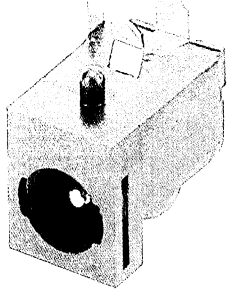
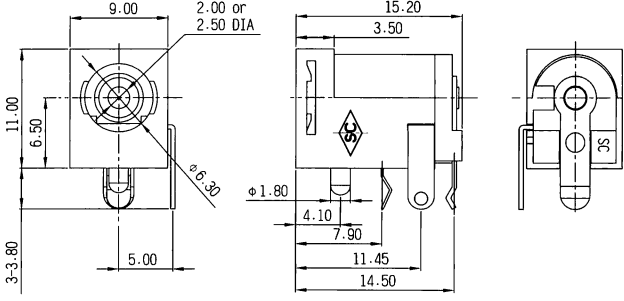
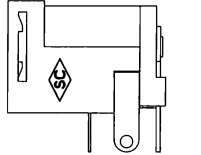
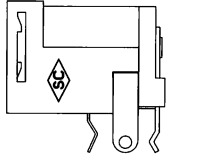
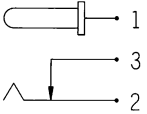
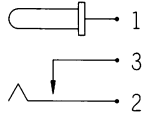
**SCD442**

①      ②      ③      ④      ⑤

- ① : Series No.
- ② : Center pin diameter  
C : Ø 2.0mm  
D : Ø 2.5mm  
Ø 1.3/1.65/2.35/2.95mm are available
- ③ : Schematic.  
C : Normal close.  
P : Normal open.
- ④ : Terminal plating.  
S : Silver (standard)
- ⑤ : Special option  
011000 : Flat type  
013000 : Kink type

# DC POWER JACK ( CENTER PIN: Ø2.0/Ø2.5 )

## SCD443 SERIES

	P/N	Dimension (m/m)		Pin Hole Layout (Jack Bottom View)	
 <p data-bbox="215 695 509 758"><b>SCD 443 *** 011000</b> (Lockable Type)</p>	<b>SCD 443 *** 011000</b>				
 <p data-bbox="215 1150 509 1213"><b>SCD 443 *** 013000</b> (Lockable Type)</p>	<b>SCD 443 *** 013000</b>				
		<b>Solder Pin Option</b>		<b>Schematic Code</b>	
					
		<b>011000 : Flat Type</b>	<b>013000 : Kink Type</b>	<b>C : Normal Close</b>	<b>P : Normal Open</b>

### Construction

1. Housing : Thermoplastic
2. Center pin : Nickel plating
3. Terminal : Brass / Copper alloy

### Specification

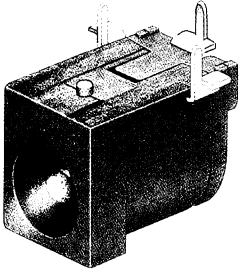
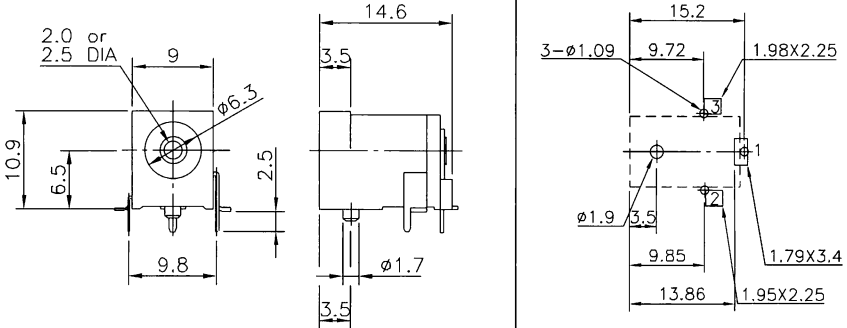
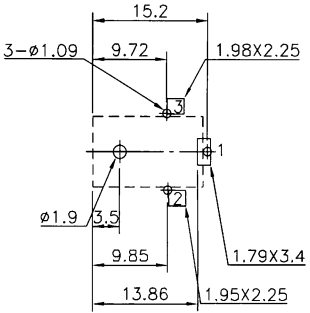
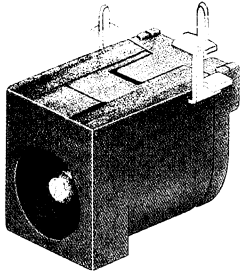
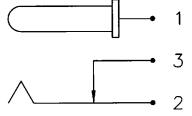
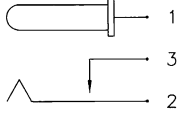
1. Rating: 2A 16VDC
2. Withstanding voltage:  
AC 500V, 60Hz for 1 minute
3. Insulation resistance (initial):  
100MΩ (min.) at 500V DC
4. Contact resistance (initial):  
30mΩ (max.) at AC 100mA (max.) 1KHz
5. Insertion & Extraction force:  
Initial : 0.3 to 3.0Kgs  
After life test : 0.2 to 3.0Kgs
6. Life test:  
5,000 cycles unloading (20-30 cycle/minute)

### Ordering Information

**SCD443** □ □ □ □ □ □ □ □

- ① : Series No.
- ② : Center pin diameter  
C : Ø 2.0mm  
D : Ø 2.5mm  
Ø 1.3/1.65/2.35/2.95mm are available
- ③ : Schematic.  
C : Normal close.  
P : Normal open.
- ④ : Terminal plating.  
S : Silver (standard)
- ⑤ : Special option  
011000 : Flat type  
013000 : Kink type

# DC POWER JACK ( CENTER PIN: Ø2.0/Ø2.5 )

		P/N	Dimension (m/m)	Pin Hole Layout (Jack Bottom View)
 <p><b>SCD 445</b></p>	<b>SCD 445</b>			
				 <p><b>SCD 446</b></p>
<b>Schematic code</b>				
				
		<b>C : Normal close</b>		<b>P : Normal open</b>

### Construction

- Housing : Thermoplastic
- Center pin : Nickel plating
- Terminal : Brass / Copper alloy

### Specification

- Rating: 2A 16VDC
- Withstanding voltage:  
AC 500V, 60Hz for 1 minute
- Insulation resistance (initial):  
100MΩ (min.) at 500V DC
- Contact resistance (initial):  
30mΩ (max.) at AC 100mA (max.) 1KHz
- Insertion & Extraction force:  
Initial : 0.3 to 3.0Kgs  
After life test : 0.2 to 3.0Kgs
- Life test:  
5,000 cycles unloading (20-30 cycle/minute)

### Ordering Information

**SCD445**

①    ②    ③    ④    ⑤

① : Series No.

SCD445/SCD446

② : Center pin diameter

C : Ø 2.0mm

D : Ø 2.5mm

③ : Schematic ("C" only)

C : Normal close

P : Normal open

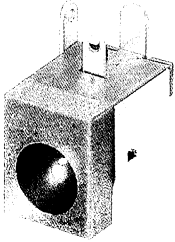
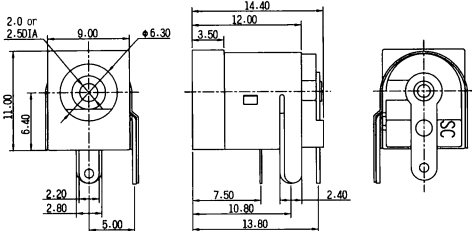
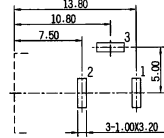
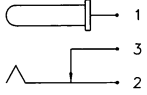
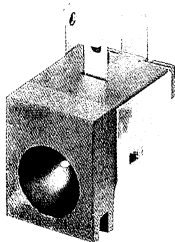
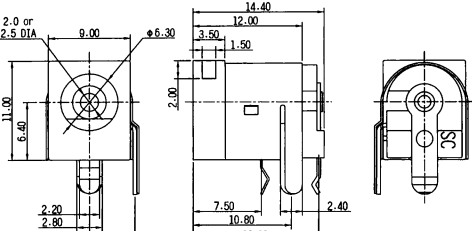

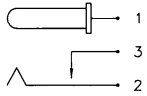
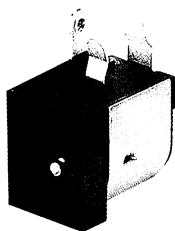
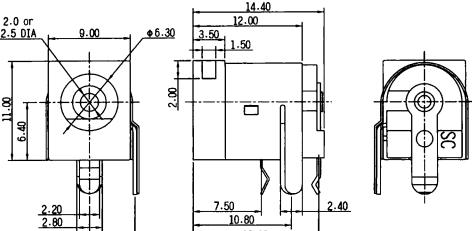

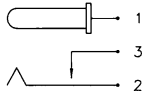
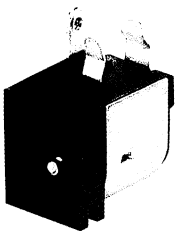
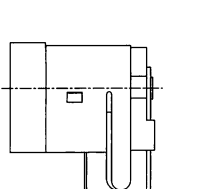
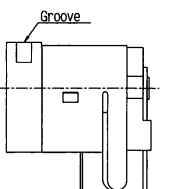
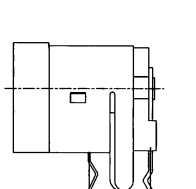
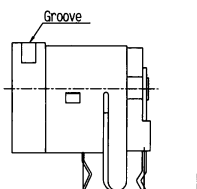
④ : Terminal plating.

S : Silver (standard)

⑤ : Special option

000000 : No special option

# DC POWER JACK ( CENTER PIN: Ø2.0/Ø2.5 )

	P/N	Dimension (m/m)	Pin Hole Layout (Jack Bottom View)	Schematic Code
 <b>SCD 453***011B00</b>	SCD 453***011B00			
				C : Normal Close
 <b>SCD 453***031B00</b>	SCD 453***033B00			
				P : Normal Open
<b>Groove &amp; Solder Tail Option</b>				
 <b>SCD 453***013B00</b>	SCD 453***033B00			
				P : Normal Open
 <b>SCD 453***033B00</b>				
				
	011B00 : W/O Groove Flat Type	031B00 : With Groove Flat Type	013B00 : W/O Groove Kink Type	033B00 : With Groove Kink Type

## Construction

- Housing : Thermoplastic
- Center pin : Nickel plating
- Terminal : Brass / Copper alloy

## Specification

- Rating: 2A 16VDC
- Withstanding voltage:  
AC 500V, 60Hz for 1 minute
- Insulation resistance (initial):  
100MΩ (min.) at 500V DC
- Contact resistance (initial):  
30mΩ (max.) at AC 100mA (max.) 1KHz
- Insertion & Extraction force:  
Initial : 0.3 to 3.0Kgs  
After life test : 0.2 to 3.0Kgs
- Life test:  
5,000 cycles unloading (20-30 cycle/minute)

## Ordering Information

**SCD453**

①      ②      ③      ④      ⑤      ⑥      ⑦

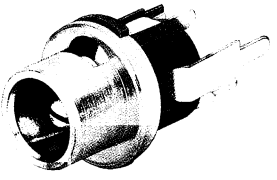
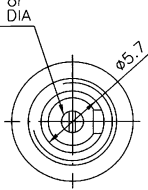
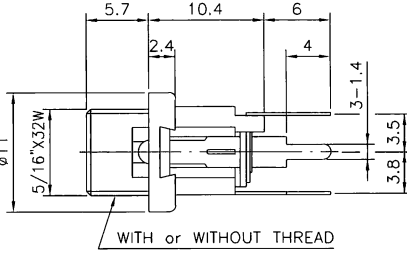
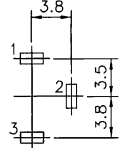
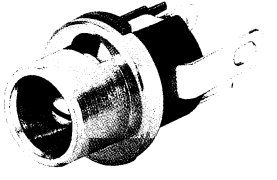
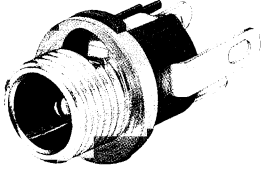
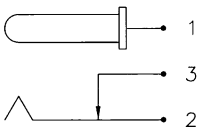
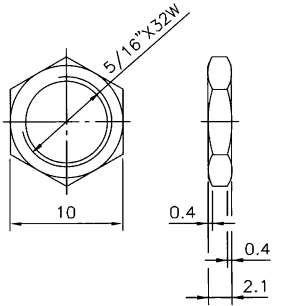
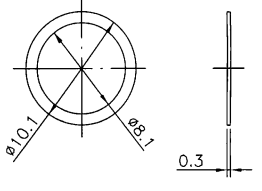
- ① : Series No.  
 ② : Center pin diameter  
 C : Ø 2.0mm D : Ø 2.5mm  
 ③ : Schematic.  
 C : Normal close. P : Normal open.  
 ④ : Terminal plating.  
 S : Silver (standard)  
 ⑤ : Special option

Code	Groove	Solder tail
011	W/O Groove	Flat type
031	With Groove	Flat type
013	W/O Groove	Kink type
033	With Groove	Kink type

- ⑥ : Housing color option  
 B : Black (Standard)  
 Other colors option are available

- ⑦ : Special option  
 00 : No special option

# DC POWER JACK ( CENTER PIN: Ø2.0/Ø2.5 )

		P/N	Dimension (m/m)	Pin Hole Layout (Jack Bottom View)
 <b>SCD 454 * * * 001000</b>	<b>SCD 454</b>			
 <b>SCD 554 * * * 001000</b>	<b>Schematic Normal Close</b>		<b>Matching Nut &amp; Washer for SCD454 * * * 003000 &amp; SCD554 * * * 003000</b>	
	 <b>SCD 554 * * * 003000</b>			
	<b>C</b>	<b>Nut</b>	<b>Washer</b>	

## Construction

- 1. Housing : Thermoplastic
- 2. Center pin : Nickel plating
- 3. Terminal : Brass / Copper alloy

## Specification

- 1. Rating: 2A 16VDC
- 2. Withstanding voltage: AC 500V, 60Hz for 1 minute
- 3. Insulation resistance (initial): 100MΩ (min.) at 500V DC
- 4. Contact resistance (initial): 30mΩ (max.) at AC 100mA (max.) 1KHz
- 5. Insertion & Extraction force:
  - Initial : 0.3 to 3.0Kgs
  - After life test : 0.2 to 3.0Kgs
- 6. Life test: 5,000 cycles unloading (20-30 cycle/minute)

## Ordering Information

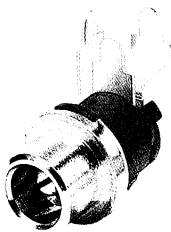
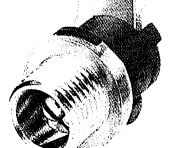
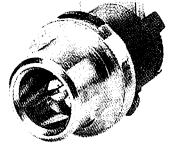
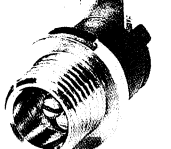
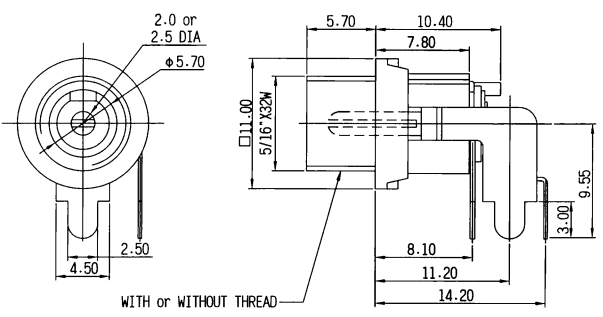
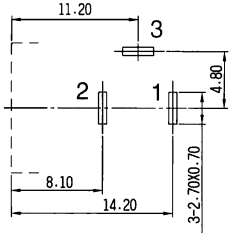
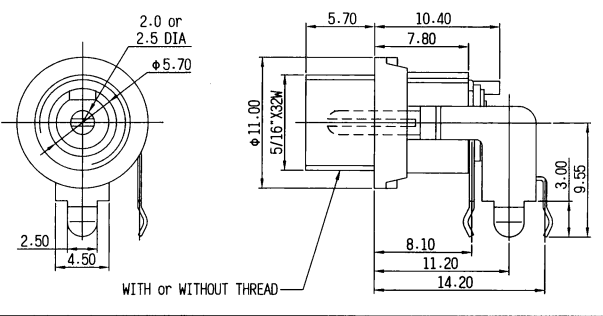
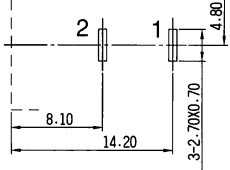
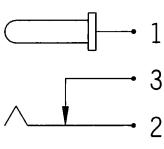
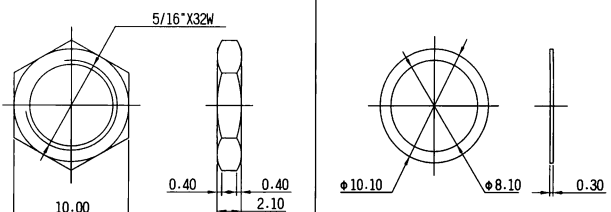
**SCD454**

- ① : Series No.  
SCD454/SCD554
- ② : Center pin diameter  
C : Ø 2.0mm  
D : Ø 2.5mm
- ③ : Schematic ("C" only)  
C : Normal close
- ④ : Terminal plating.  
S : Silver (standard)
- ⑤ : Special option

Code	Bushing Thread.	Nut option
001000	W/O Thread	W/O Nut
003000	With Thread	With Nut



# DC POWER JACK ( CENTER PIN: Ø2.0/Ø2.5 )

SCD456 SERIES		
P/N	Dimension (m/m)	Pin Hole Layout (Jack Bottom View)
 <b>SCD 456 *** 111B00</b>   <b>SCD 456 *** 113B00</b>   <b>SCD 456 *** 131B00</b>   <b>SCD 456 *** 133B00</b>	 WITH or WITHOUT THREAD	
	 WITH or WITHOUT THREAD	
	<b>Schematic Normal Close</b>	<b>Matching Nut &amp; Washer for SCD 456 *** 113B00 &amp; SCD 456 *** 133B00</b>
		
	<b>C</b>	<b>Nut</b> <b>Washer</b>

## Construction

- 1. Housing : Thermoplastic
- 2. Center pin : Nickel plating
- 3. Terminal : Brass / Copper alloy

## Specification

- 1. Rating: 2A 16VDC
- 2. Withstanding voltage: AC 500V, 60Hz for 1 minute
- 3. Insulation resistance (initial): 100MΩ (min.) at 500V DC
- 4. Contact resistance (initial): 30mΩ (max.) at AC 100mA(max.) 1KHz
- 5. Insertion & Extraction force:
  - Initial : 0.3 to 3.0Kgs
  - After life test : 0.2 to 3.0Kgs
- 6. Life test: 5,000 cycles unloading (20-30 cycle/minute)

## Ordering Information

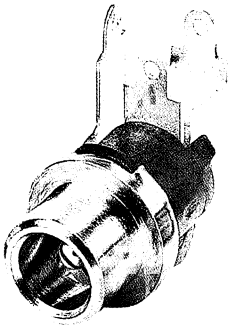
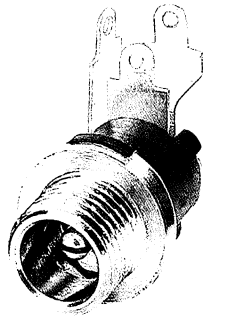
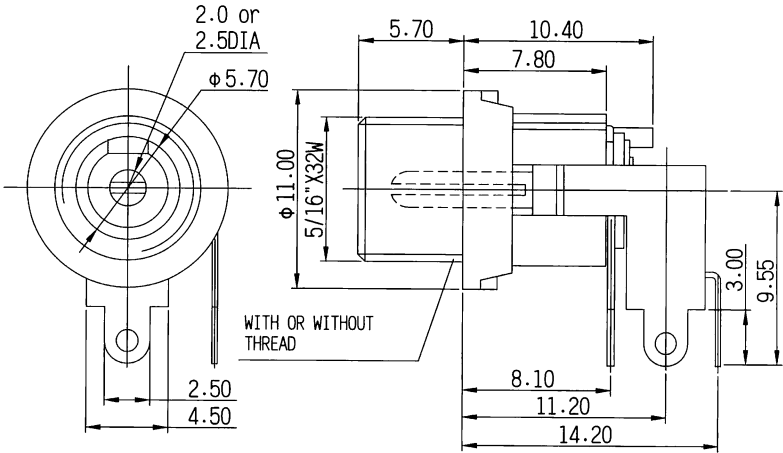
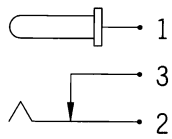
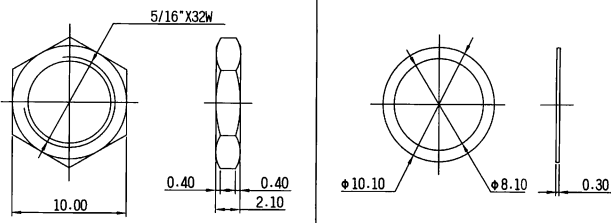
**SCD456**

① : Series No.      ② : Center pin diameter      ③ : Schematic ("C" only)      ④ : Terminal plating      ⑤ : Terminal Option Bushing & Nut Option      ⑥ : Housing Color Option      ⑦ : Special Option

- SCD454/SCD554
- C : Ø 2.0mm      D : Ø 2.5mm
- C : Normal close
- S : Silver (standard)
- Code      Bushing thread      Nut option
- 111 Flat type W/O thread      W/O nut
- 113 Flat type With thread      With nut
- 131 Kink type W/O thread      W/O nut
- 133 Kink type With thread      With nut
- B:Black (standard)
- 00 : No Special Option

# DC POWER JACK ( CENTER PIN: Ø2.0/Ø2.5 )

## SCD556 SERIES

P/N	Dimension (m/m)
 <p><b>SCD 556 *** 111B00</b></p>  <p><b>SCD 556 *** 113B00</b></p>	
<b>Schematic Normal Close</b>	<b>Matching Nut &amp; Washer for SCD556 *** 111B00 &amp; SCD556 *** 113B00</b>
 <p><b>C</b></p>	
	<p><b>Nut</b></p> <p><b>Washer</b></p>

### Construction

- Housing : Thermoplastic
- Center pin : Nickel plating
- Terminal : Brass / Copper alloy

### Specification

- Rating: 2A 16VDC
- Withstanding voltage:  
AC 500V, 60Hz for 1 minute
- Insulation resistance (initial):  
100MΩ (min.) at 500V DC
- Contact resistance (initial):  
30mΩ (max.) at AC 100mA (max.) 1KHz
- Insertion & Extraction force:  
Initial : 0.3 to 3.0Kgs  
After life test : 0.2 to 3.0Kgs
- Life test:  
5,000 cycles unloading (20-30 cycle/minute)

### Ordering Information

**SCD556**

① : Series No.

② : Center pin diameter  
C : Ø 2.0mm D : Ø 2.5mm

③ : Schematic ("C" only)  
C : Normal close

④ : Terminal plating.  
S : Silver (standard)

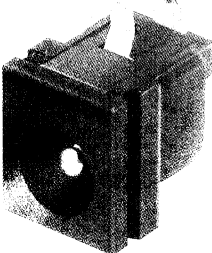
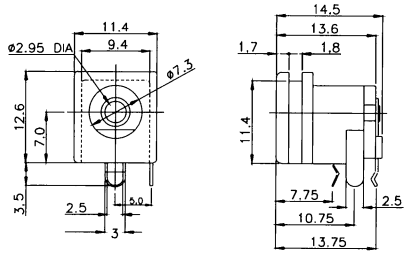
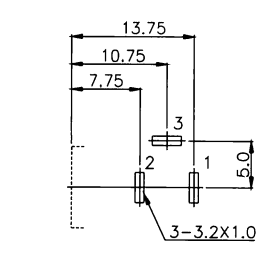
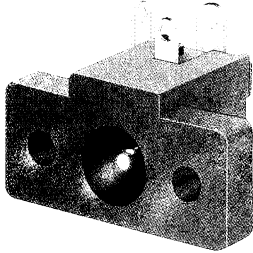
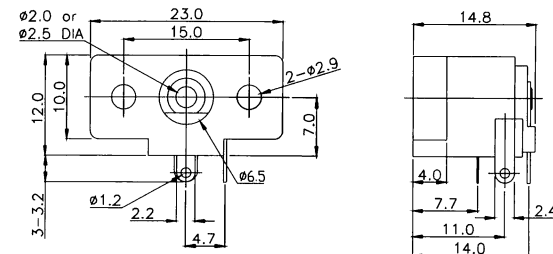
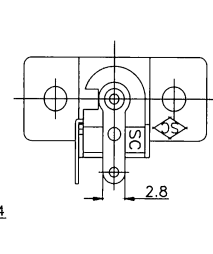
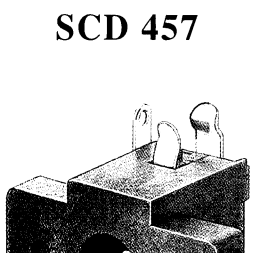
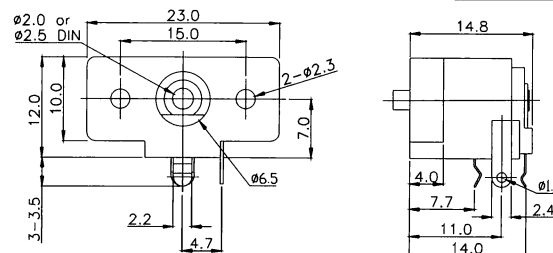
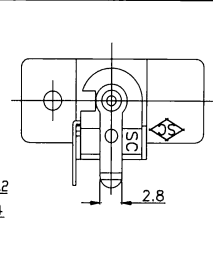
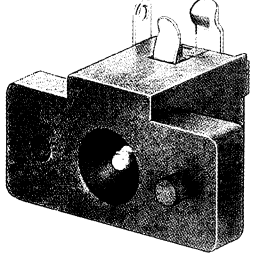
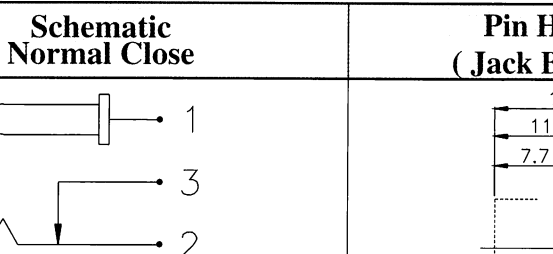
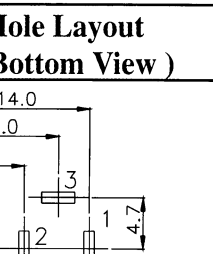
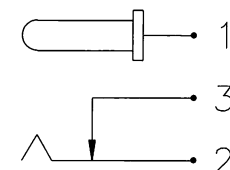
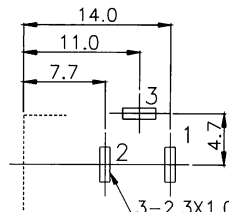
⑤ : Terminal Option Bushing & Nut Option

Code	Bushing Thread	Nut option
111	W/O Thread	W/O nut
113	With Thread	With nut

⑥ : Housing Color Option  
B:Black (standard)  
Other color option are available

⑦ : Special Option  
00 : No Special Option

# DC POWER JACK ( CENTER PIN: Ø2.0/Ø2.95 )

SCD452/ SCD457/ SCD458 SERIES			
	P/N	Dimension (m/m)	Pin Hole Layout (Jack Bottom View)
	SCD 452		
	SCD 457		
	SCD 457		
	SCD 458***003000		
		<b>Schematic Normal Close</b>	<b>Pin Hole Layout (Jack Bottom View)</b>
			
		<b>C</b>	

## Construction

- Housing : Thermoplastic
- Center pin : Nickel plating
- Terminal : Brass / Copper alloy

## Specification

- Rating: 2A 16VDC
- Withstanding voltage:  
AC 500V, 60Hz for 1 minute
- Insulation resistance (initial):  
100MΩ (min.) at 500V DC
- Contact resistance (initial):  
30mΩ (max.) at AC 100mA (max.) 1KHz
- Insertion & Extraction force:  
Initial : 0.3 to 3.0Kgs  
After life test : 0.2 to 3.0Kgs
- Life test:  
5,000 cycles unloading (20-30 cycle/minute)

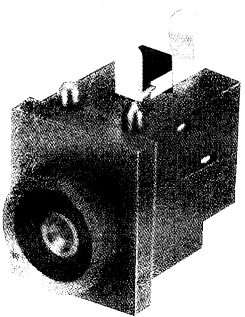
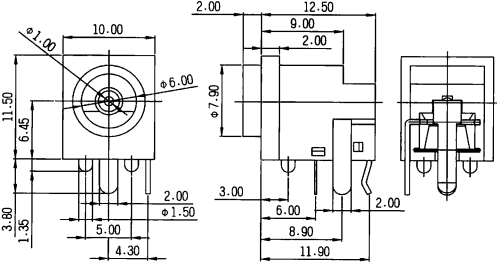
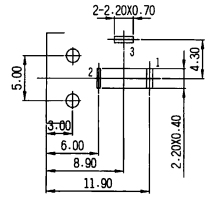
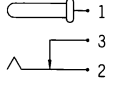
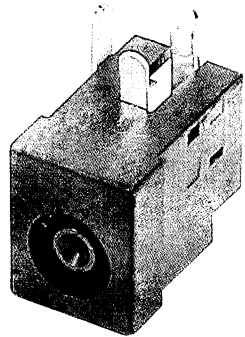
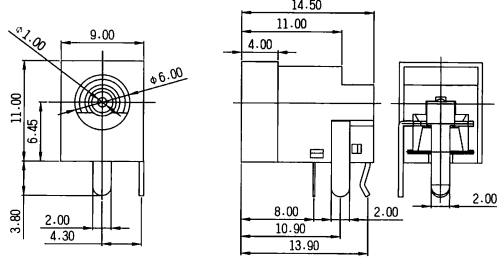
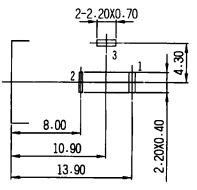
## Ordering Information

**SCD457**

①    ②    ③    ④    ⑤

- Series No.  
SCD452/SCD457/SCD458
- Center pin diameter  
C : Ø 2.0mm  
D : Ø 2.5mm  
G : Ø 2.95mm ( only SCD 452)
- Schematic option.  
C : Normal close
- Terminal plating.  
S : Silver (standard)
- Special option  
000000 : No special option  
003000 : Kink type

# DC POWER JACK ( CENTER PIN: Ø1.0 )

		SCD460 SERIES	
	P/N	Dimension (m/m)	Schematic Code No
 <p><b>SCD 460***000000</b></p>	<b>SCD 460***000000</b>		
			
 <p><b>SCD 460***00S000</b></p>	<b>SCD 460***00S000</b>		
		<p style="text-align: center;"><b>C</b></p>	

## Construction

- Housing : Thermoplastic
- Terminal : Brass / Copper alloy

## Specification

- Rating: 2A. 13.5VDC
- Withstanding voltage:  
AC 500V, 60Hz for 1 minute
- Insulation resistance (initial):  
100MΩ (min.) at 500V DC
- Contact resistance (initial):  
30mΩ (max.) at AC 100mA (max.) 1KHz
- Insertion & Extraction force:  
Initial : 0.3 to 3.0Kgs  
After life test : 0.2 to 3.0Kgs
- Life test:  
5,000 cycles unloading (20-30 cycle/minute)

## Ordering Information

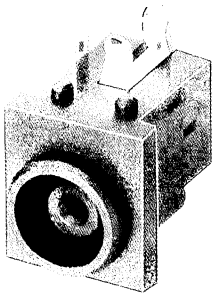
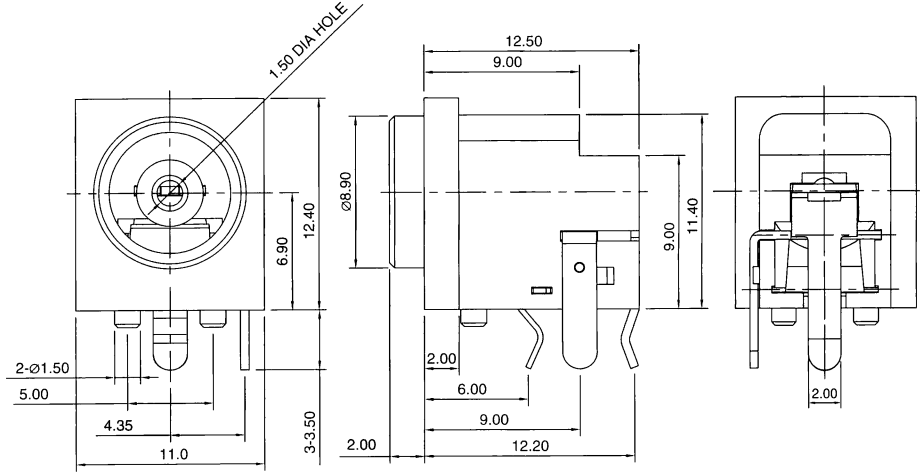
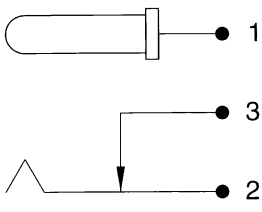
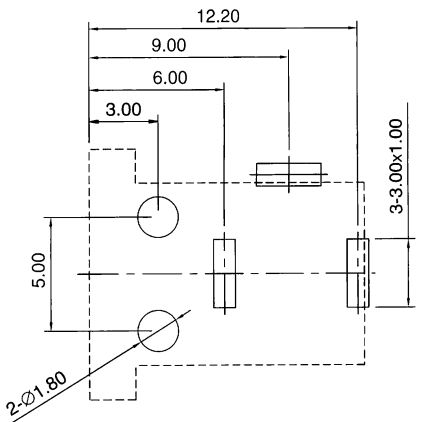
**SCD460**

①    ②    ③    ④    ⑤    ⑥    ⑦

- Series No.
- Center Hole diameter  
E : Ø 1.00 mm (only)
- Schematic option. ("C" only)  
C : Normal close
- Terminal plating.  
S : Silver (standard)
- Outward housing  
000: Bushing type  
00S: Without bushing type
- Housing color code ("B" is standard)  
B:Black  
Other colors option are available
- Special option  
00 : No special option

# DC POWER JACK ( CENTER PIN: Ø1.5 )

## SCD461 SERIES

 <p style="font-weight: bold; font-size: 1.2em;">SCD 461</p>	Dimension (m/m)	
		
	Schematic Normal Close	Pin Hole Layout ( Jack Bottom View )
 <p style="text-align: center; font-weight: bold; font-size: 1.5em;">C</p>		

### Construction

- 1. Housing : Thermoplastic
- 2. Center pin : Nickel plating
- 3. Terminal : Brass / Copper alloy

### Specification

- 1. Rating: 2A. 13.5VDC
- 2. Withstanding voltage:  
AC 500V, 60Hz for 1 minute
- 3. Insulation resistance:  
100MΩ(min.) at 500V DC
- 4. Contact resistance:  
30mΩ(max.) at AC 100mA(max.) 1KHz
- 5. Insertion & Extraction force:  
Initial : 0.3 to 3.0kgs  
After life test : 0.2 to 3.0kgs
- 6. Life test:  
5,000 cycles unloading (20-30 cycle/minute)

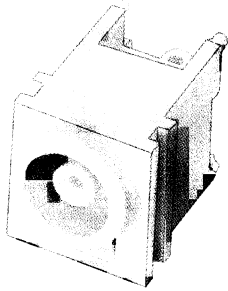
### Ordering Information

**SCD461**                               

- ① : Series No.
- ② : Center hole diameter  
J : Ø 1.5mm(only)
- ③ : Schematic option. ("C" only)  
C : Normal close
- ④ : Terminal plating.  
S : Silver (Stsndard)
- ⑤ : Special option  
000000 : No special option

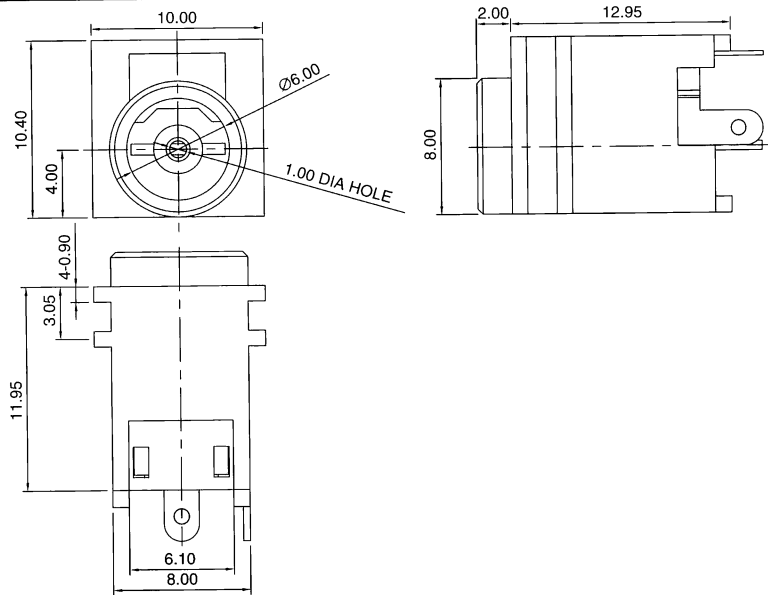
# DC POWER JACK ( CENTER PIN: Ø1.0 )

## SCD462 SERIES

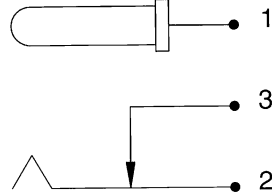


**SCD 462**

### Dimension (m/m)

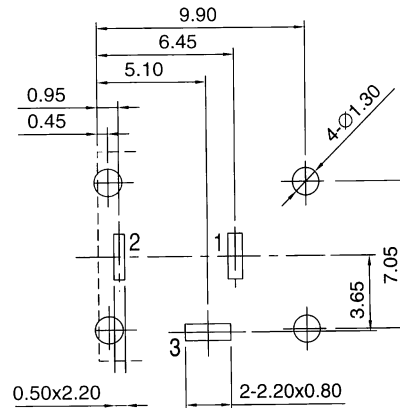


### Schematic Normal Close



**C**

### Pin Hole Layout ( Jack Bottom View )



### Construction

1. Housing : Thermoplastic
2. Center pin : Nickel plating
3. Terminal : Brass / Copper alloy

### Specification

1. Rating: 2A, 13.5VDC
2. Withstanding voltage:  
AC 500V, 60Hz for 1 minute
3. Insulation resistance:  
100M $\Omega$ (min.) at 500V DC
4. Contact resistance:  
30m $\Omega$ (max.) at AC 100mA(max.) 1KHz
5. Insertion & Extraction force:  
Initial : 0.3 to 3.0kgs  
After life test : 0.2 to 3.0kgs
6. Life test:  
5,000 cycles unloading (20-30 cycle/minute)

### Ordering Information

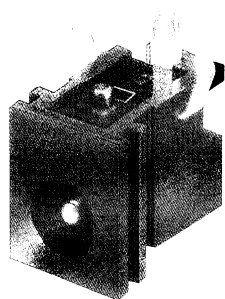
**SCD462**

①     ②     ③     ④     ⑤

- ① : Series No.
- ② : Center hole diameter  
E :  $\text{Ø} 1.0\text{mm}$ (only)
- ③ : Schematic option. ("C" only)  
C : Normal close
- ④ : Terminal plating.  
S : Silver (Standard)
- ⑤ : Special option  
000000 : No special option

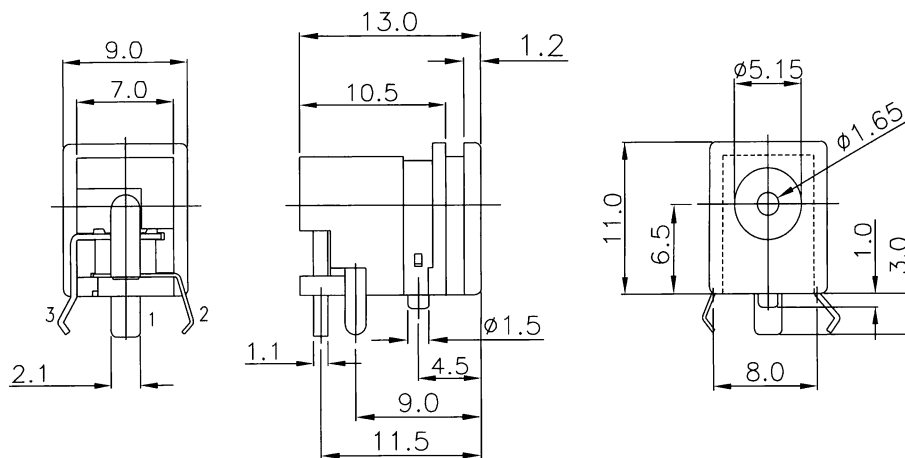
# DC POWER JACK ( CENTER PIN: Ø1.65 )

## SCD465 SERIES

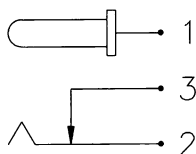


**SCD 465**

### Dimension (m/m)

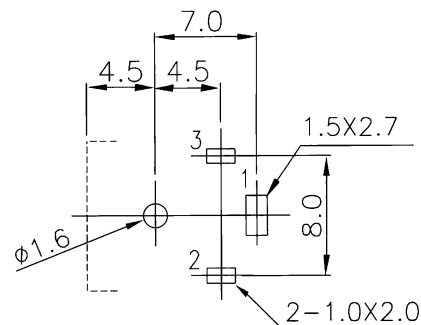


### Schematic Normal Close



**C**

### Pin Hole Layout (Jack Bottom View)



### Construction

1. Housing : Thermoplastic
2. Center pin : Nickel plating
3. Terminal : Brass / Copper alloy

### Specification

1. Rating: 1A 12VDC
2. Withstanding voltage:  
AC 500V, 60Hz for 1 minute
3. Insulation resistance (initial):  
100MΩ (min.) at 500V DC
4. Contact resistance (initial):  
30mΩ (max.) at AC 100mA(max.) 1KHz
5. Insertion & Extraction force:  
Initial : 0.3 to 3.0Kgs  
After life test : 0.2 to 3.0Kgs
6. Life test:  
5,000 cycles unloading (20-30 cycle/minute)

### Ordering Information

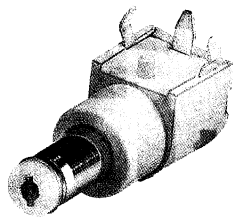
**SCD465**

- ① : Series No.  
 ② : Center pin diameter  
 B : Ø 1.65mm  
 ③ : Schematic option. ("C" only)  
 C : Normal close  
 ④ : Terminal plating. ("M" is standard)  
 S : Silver M : Misty Silver  
 ⑤ : Special option  
 000000 : No special option

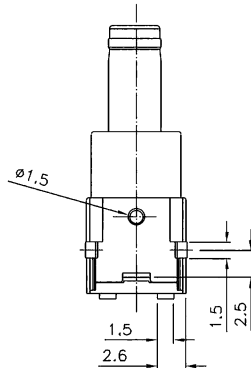
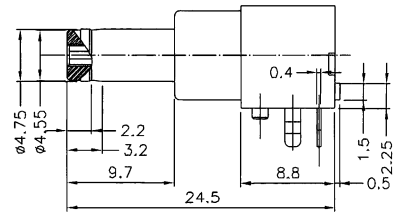
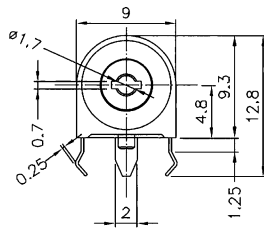
# DC POWER JACK ( CENTER PIN: Ø1.7 )

## SCDP310 SERIES

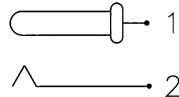
### Dimension (m/m)



**SCDP 310**

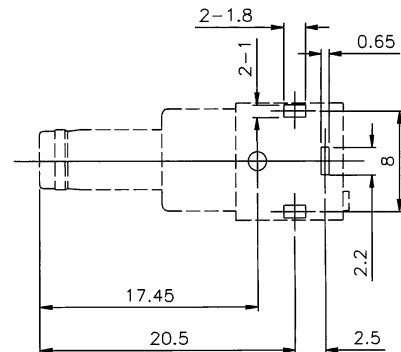


### Schematic Code No.



**D**

### Pin Hole Layout ( Jack Bottom View )



### Construction

1. Housing : Thermoplastic
2. Center pin : Nickel plating
3. Terminal : Brass / Copper alloy

### Specification

1. Rating: 1A 12VDC
2. Withstanding voltage:  
AC 500V, 60Hz for 1 minute
3. Insulation resistance (initial):  
100MΩ (min.) at 500V DC
4. Contact resistance (initial):  
30mΩ (max.) at AC 100mA (max.) 1KHz
5. Insertion & Extraction force:  
Initial : 0.3 to 3.0Kgs  
After life test : 0.2 to 3.0Kgs
6. Life test:  
5,000 cycles unloading (20-30 cycle/minute)

### Ordering Information

**SCDP310**

① ② ③ ④ ⑤ ⑥ ⑦ ⑧

① : Series No.

② : Type

J : Connector jack

③ : Housing color code

A : Gary I : Ivory

④ : Sleeve plating( "N" is standard)

N : Nickel G : Gold flash

⑤ : Contact plating( "S" is standard)

T : Tin S : Silver G : Gold flash

⑥ : Terminal plating( "S" is standard)

T : Tin S : Silver G : Gold flash

⑦ : Insulaator color code

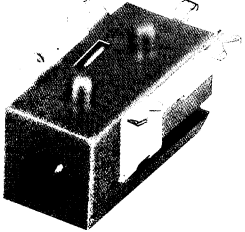
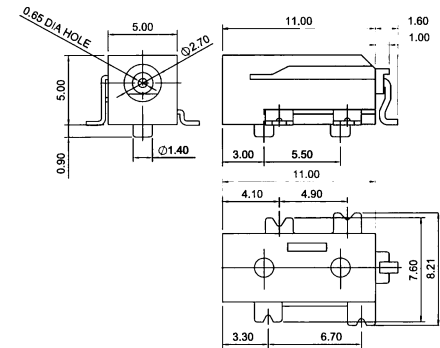
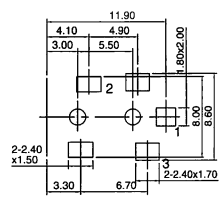
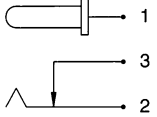
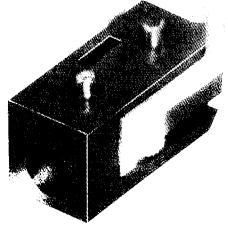
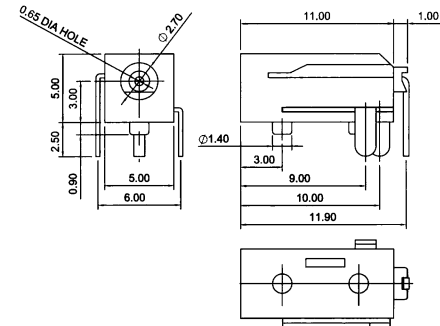
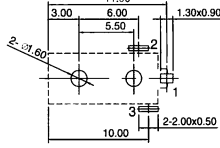
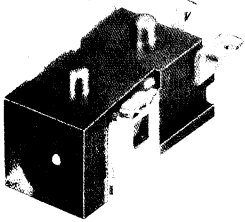
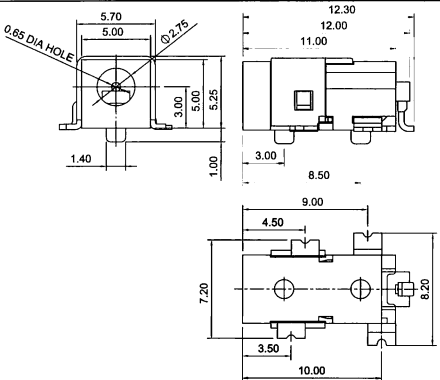
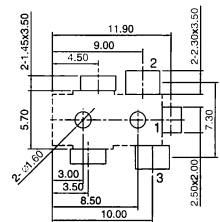
Y : Yellow B : Black

⑧ : Special option

00 : No special option



# DC POWER JACK ( CENTER PIN: Ø0.65 )

	P/N	Dimension (m/m)	Pin Hole Layout (Jack Bottom View)	Schematic Normal Close
 <b>SCD 470</b>	SCD 470			 <b>C</b>
 <b>SCD 471</b>	SCD 471			
 <b>SCD 472</b>	SCD 472			

## Construction

- Housing : Thermoplastic
- Center pin : Nickel plating.
- Terminal : Brass / Copper Alloy

## Specification

- Rating: 0.5A 16VDC
- Withstanding voltage:  
AC 500V, 60Hz for 1 minute
- Insulation resistance (initial):  
100MΩ (min.) at 500V DC
- Contact resistance (initial):  
30mΩ (max.) at AC 100mA (max.) 1KHz
- Insertion & Extraction force:  
Initial : 0.3 to 3.0Kgs  
After life test : 0.2 to 3.0Kgs
- Life test:  
5,000 cycles unloading (20-30 cycle/minute)

## Ordering Information

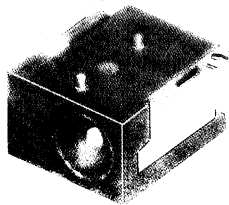
**SCD470**

①    ②    ③    ④    ⑤    ⑥

- Series No.  
SCD470 / SCD471 / SCD472
- Center pin diameter  
F : Ø0.65mm
- Schematic ("C" only)  
C : Normal close
- Terminal plating.  
S : Silver (standard)
- Shell plating ("N" is standard)  
N : Nickel  
SCD470, SCD471 : "0" only (without shell)
- Special option  
00000 : No special option

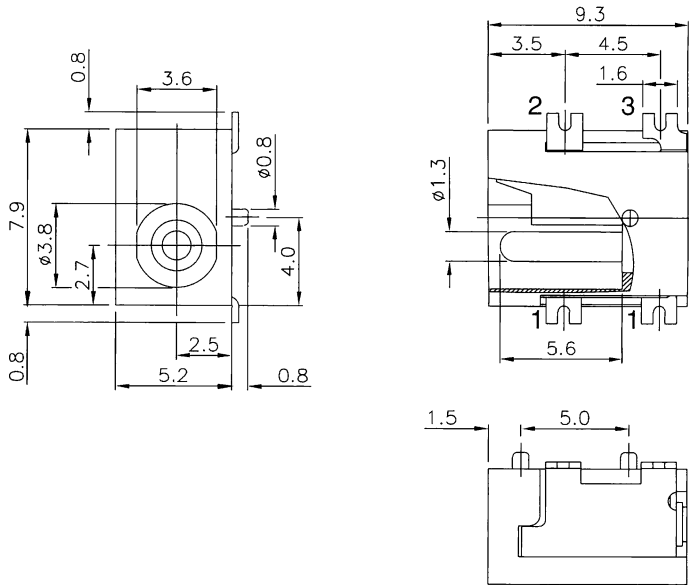
# DC POWER JACK ( CENTER PIN: Ø1.3 )

## SCD473 SERIES

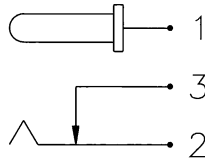


**SCD 473**

### Dimension (m/m)

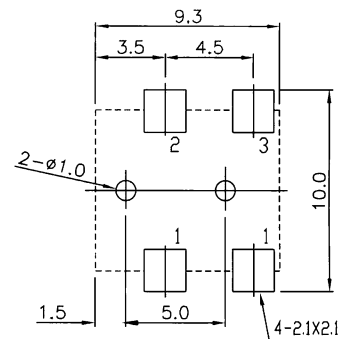


### Schematic Normal Close



**C**

### Pin Land Layout



### Construction

1. Housing : Thermoplastic
2. Center pin : Nickel plating
3. Terminal : Brass / Copper alloy

### Specification

1. Rating: 0.5A 12VDC
2. Withstanding voltage: AC 500V, 60Hz for 1 minute
3. Insulation resistance (initial): 100M $\Omega$  (min.) at 500V DC
4. Contact resistance (initial): 30m $\Omega$  (max.) at AC 100mA (max.) 1KHz
5. Insertion & Extraction force:
  - Initial : 0.3 to 3.0Kgs
  - After life test : 0.2 to 3.0Kgs
6. Life test: 5,000 cycles unloading (20-30 cycle/minute)

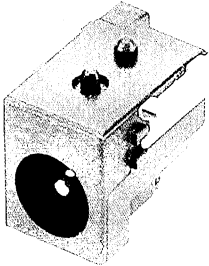
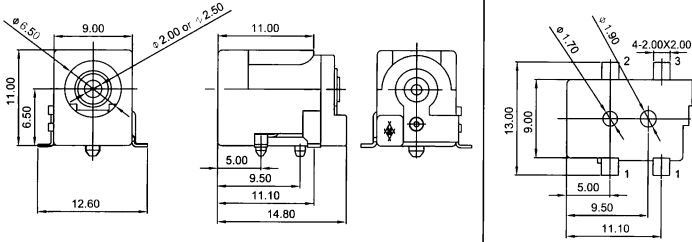
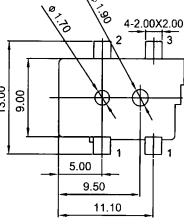
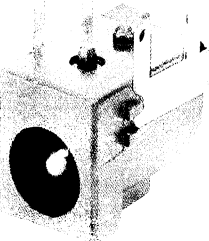
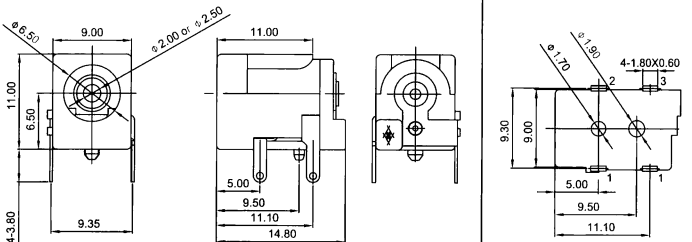
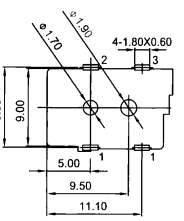
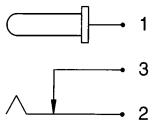
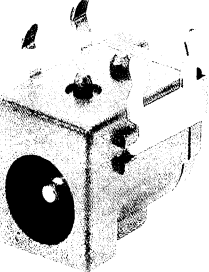
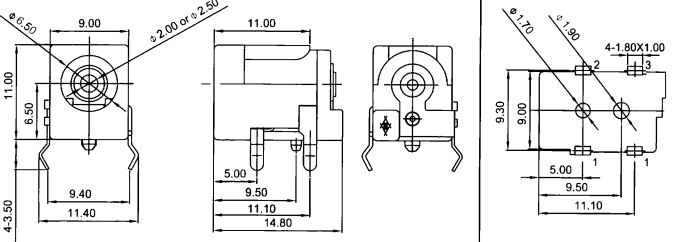
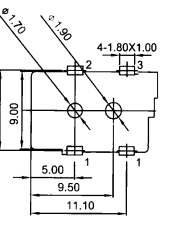
### Ordering Information

**SCD473**

①      ②      ③      ④      ⑤

- ① : Series No.
- ② : Center pin diameter  
A :  $\phi 1.3$ mm
- ③ : Schematic option. ("C" only)  
C : Normal close
- ④ : Terminal plating.  
S : Silver (standard)
- ⑤ : Special option  
000000 : No special option

# DC POWER JACK ( CENTER PIN: Ø2.0/Ø2.95 )

SCD480 SERIES				
	P/N	Dimension (m/m)	Pin Hole Layout (Jack Bottom View)	Schematic Normal Close
	<b>SCD 480***000</b>			
	<b>SCD 480***011</b>			
	<b>SCD 480***013</b>			
				<b>C</b>

## Construction

- Housing : Thermoplastic
- Center pin : Nickel plating.
- Terminal : Brass / Copper Alloy

## Specification

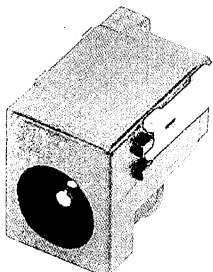
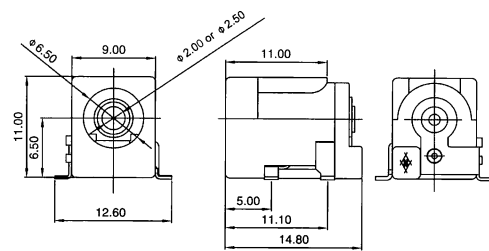
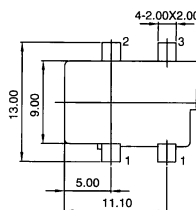
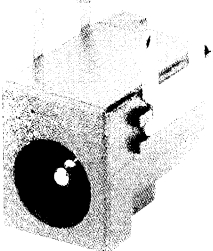
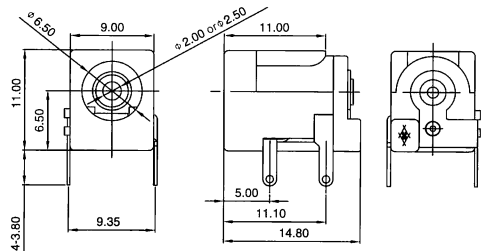
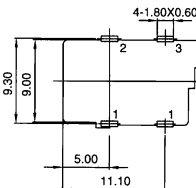
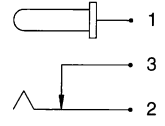
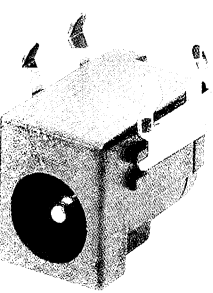
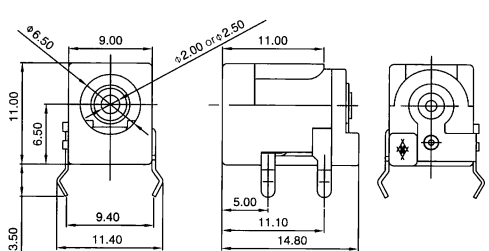
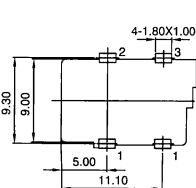
- Rating: 3A 12VDC
- Withstanding voltage:  
AC 500V, 60Hz for 1 minute
- Insulation resistance (initial):  
100MΩ (min.) at 500V DC
- Contact resistance (initial):  
30mΩ (max.) at AC 100mA (max.) 1KHz
- Insertion & Extraction force:  
Initial : 0.3 to 3.0Kgs  
After life test : 0.2 to 3.0Kgs
- Life test:  
5,000 cycles unloading (20-30 cycle/minute)

## Ordering Information

**SCD480**

- ① : Series No.  
 ② : Center pin diameter  
 C : Ø 2.0mm  
 D : Ø 2.5mm  
 ③ : Schematic.  
 C : Normal close.  
 ④ : Terminal plating.  
 S : Silver (Standard)  
 ⑤ : Special option  
 000 : SMT type  
 011 : Flat type  
 013 : Kink type  
 ⑥ : Housing color option  
 B:Black (Standard)  
 Other colors option are available

# DC POWER JACK ( CENTER PIN: Ø2.0/Ø2.95 )

	P/N	Dimension (m/m)	Pin Hole Layout (Jack Bottom View)	Schematic Normal Close
 <b>SCD 481***000</b>	<b>SCD 481***000</b>			
 <b>SCD 481***011</b>	<b>SCD 481***011</b>			
 <b>SCD 481***013</b>	<b>SCD 481***013</b>			
				<b>C</b>

## Construction

- Housing : Thermoplastic
- Center pin : Nickel plating.
- Terminal : Brass / Copper Alloy

## Specification

- Rating: 3A 12VDC
- Withstanding voltage:  
AC 500V, 60Hz for 1 minute
- Insulation resistance (initial):  
100MΩ (min.) at 500V DC
- Contact resistance (initial):  
30mΩ (max.) at AC 100mA (max.) 1KHz
- Insertion & Extraction force:  
Initial : 0.3 to 3.0Kgs  
After life test : 0.2 to 3.0Kgs
- Life test:  
5,000 cycles unloading (20-30 cycle/minute)

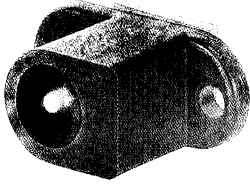
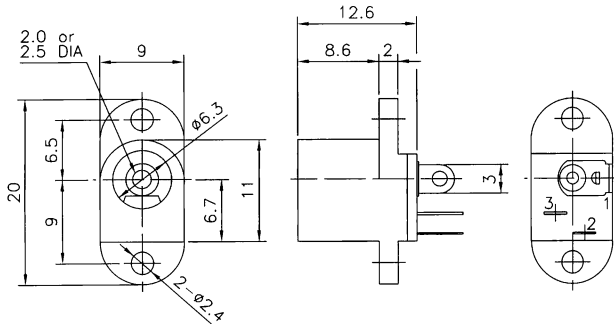
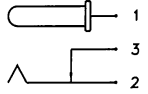
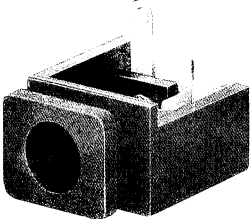
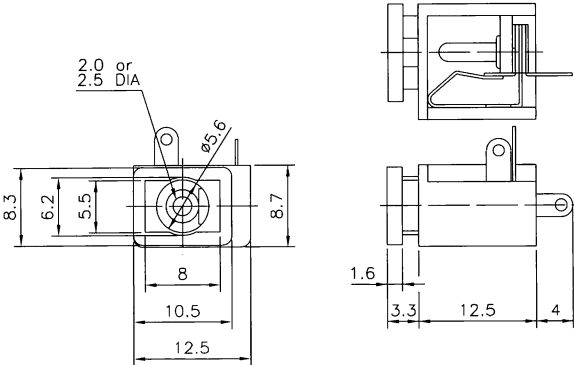
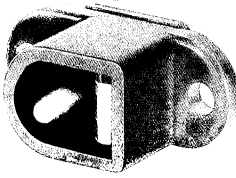
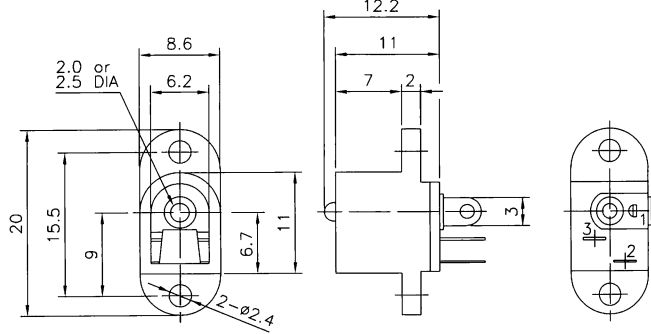
## Ordering Information

**SCD481**

①      ②      ③      ④      ⑤      ⑥

- Series No.
- Center pin diameter  
C : Ø 2.0mm  
D : Ø 2.5mm
- Schematic.  
C : Normal close.
- Terminal plating.  
S : Silver (Standard)
- Special option  
000 : SMT type  
011 : Flat type  
013 : Kink type
- Housing color option  
B: Black (Standard)  
Other colors option are available

# DC POWER JACK ( CENTER PIN: Ø2.0/Ø2.5 )

	P/N	Dimension (m/m)	Schematic Normal Close
 <p><b>SCD 510</b></p>	SCD 510		
 <p><b>SCD 513</b></p>	SCD 513		
 <p><b>SCD 516</b></p>	SCD 516		
			<b>C</b>

## Construction

1. Housing : Thermoplastic
2. Center pin : Nickel plating.
3. Terminal : Brass / Copper alloy

## Specification

1. Rating: 2A 16VDC
2. Withstanding voltage:  
AC 500V, 60Hz for 1 minute
3. Insulation resistance (initial):  
100MΩ (min.) at 500V DC
4. Contact resistance (initial):  
30mΩ (max.) at AC 100mA (max.) 1KHz
5. Insertion & Extraction force:  
Initial : 0.3 to 3.0Kgs  
After life test : 0.2 to 3.0Kgs
6. Life test:  
5,000 cycles unloading (20-30 cycle/minute)

## Ordering Information

**SCD510**

①      ②      ③      ④      ⑤

① : Series No.

SCD510 / SCD513 / SCD516

② : Center pin diameter

C : Ø2.0mm

D : Ø2.5mm

③ : Schematic ("C" only)

C : Normal close

④ : Terminal plating.

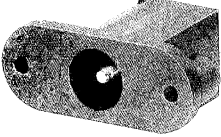
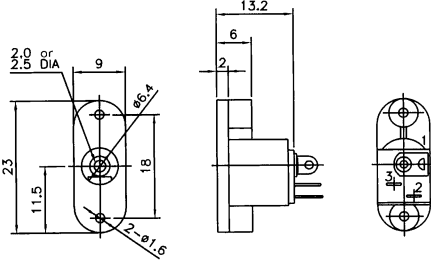
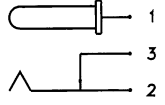
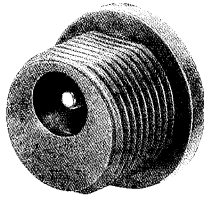
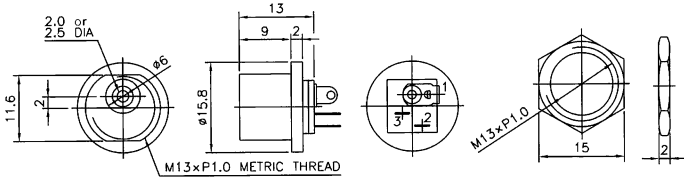
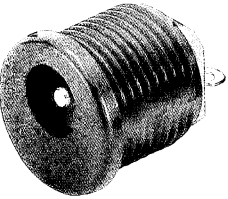
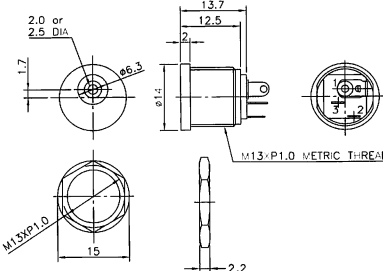
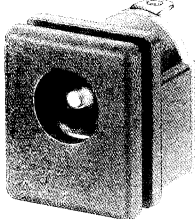
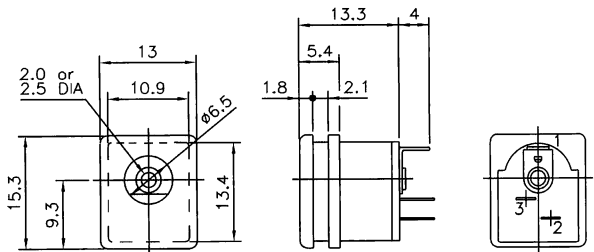
S : Silver (standard)

⑤ : Special option

000000 : No special option

# DC POWER JACK ( CENTER PIN: Ø2.0/Ø2.5 )

## SCD519 / SCD522 / SCD523 / SCD525 SERIES

	P/N	Dimension (m/m)	Schematic Normal Close
 <p><b>SCD 519</b></p>	SCD 519		
 <p><b>SCD 522</b></p>	SCD 522		
 <p><b>SCD 523</b></p>	SCD 523		
 <p><b>SCD 525</b></p>	SCD 525		

C

### Construction

- 1. Housing : Thermoplastic
- 2. Center pin : Nickel plating.
- 3. Terminal : Brass / Copper alloy

### Specification

- 1. Rating: 2A 16VDC
- 2. Withstanding voltage:  
AC 500V, 60Hz for 1 minute
- 3. Insulation resistance (initial):  
100MΩ (min.) at 500V DC
- 4. Contact resistance (initial):  
30mΩ (max.) at AC 100mA (max.) 1KHz
- 5. Insertion & Extraction force:  
Initial : 0.3 to 3.0Kgs  
After life test : 0.2 to 3.0Kgs
- 6. Life test:  
5,000 cycles unloading (20-30 cycle/minute)

### Ordering Information

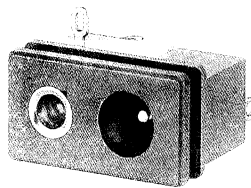
**SCD519**

①      ②      ③      ④      ⑤

- ① : Series No.  
SCD519 / SCD522 / SCD523 / SCD525
- ② : Center pin diameter  
C : Ø2.0mm  
D : Ø2.5mm
- ③ : Schematic ("C" only)  
C : Normal close
- ④ : Terminal plating.  
S : Silver (standard)
- ⑤ : Special option  
000000 : No special option

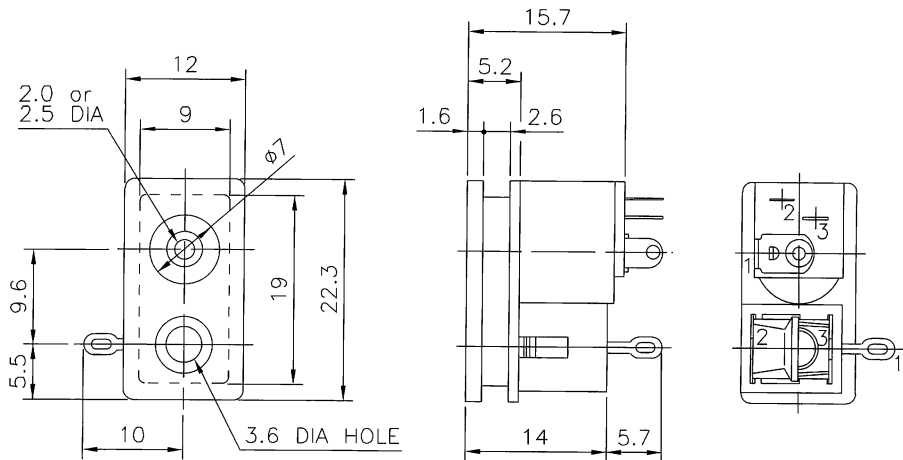
# DC POWER JACK ( CENTER PIN: Ø2.0/Ø2.5)

## SCD528 SERIES



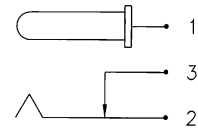
**SCD 528**

### Dimension (m/m)

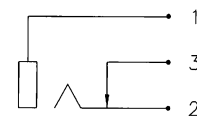


### Schematic

**DC Power Jack  
( Normal Close )**



**3.5Ø Phone Jack  
( Normal Close )**



### Construction

1. Housing : Thermoplastic
2. Center pin : Nickel plating
3. Terminal : Brass / Copper alloy

### Specification

1. Rating: 2A 16VDC
2. Withstanding voltage:  
AC 500V, 60Hz for 1 minute
3. Insulation resistance (initial):  
100MΩ (min.) at 500V DC
4. Contact resistance (initial):  
30mΩ (max.) at AC 100mA(max.) 1KHz
5. Insertion & Extraction force:  
Initial : 0.3 to 3.0Kgs  
After life test : 0.2 to 3.0Kgs
6. Life test:  
5,000 cycles unloading (20-30 cycle/minute)

### Ordering Information

**SCD528** □ □ □ □ □ □ □ □

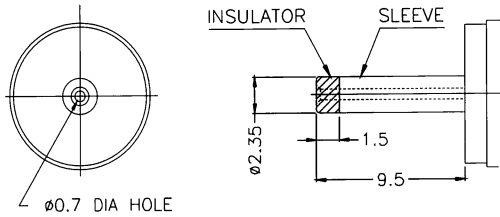
① ② ③ ④ ⑤

- ① : Series No.  
SCD528
- ② : Center pin diameter  
C : Ø 2.0mm  
D : Ø 2.5mm
- ③ : Schematic ("C" only)  
C : Normal close
- ④ : Terminal plating.  
S : Silver (standard)
- ⑤ : Special option  
000000 : No special option

# DC POWER JACK ACCESSORIES

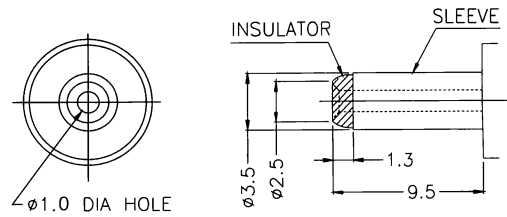
**Fig. 1 MATCHING PLUG**

(PIN 0.7Ø)



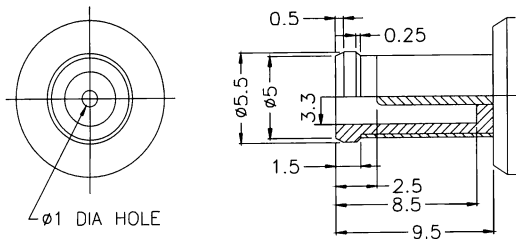
**Fig. 2 MATCHING PLUG**

(PIN 1.0Ø)



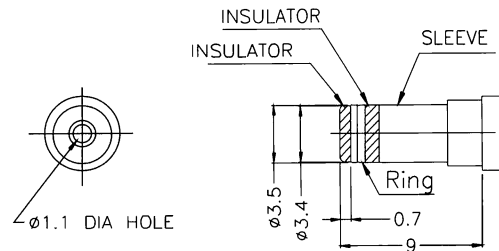
**Fig. 3 MATCHING PLUG**

(PIN 1.0Ø)



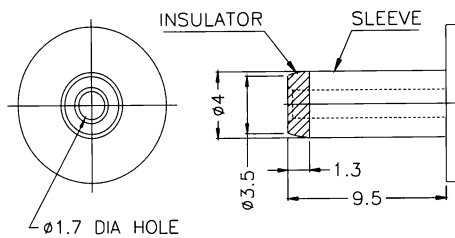
**Fig. 4 MATCHING PLUG**

(PIN 1.1Ø)



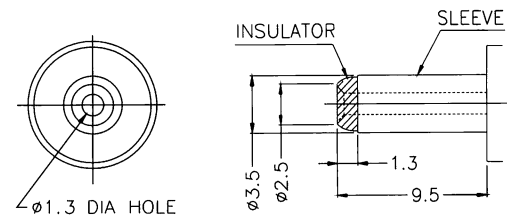
**Fig. 5 MATCHING PLUG**

(PIN 1.7Ø)



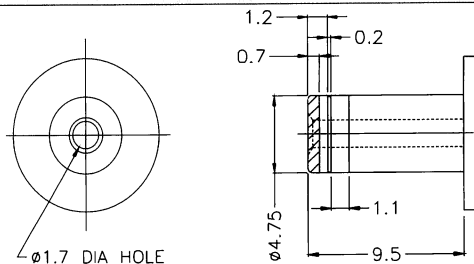
**Fig. 6 MATCHING PLUG**

(PIN 1.3Ø)



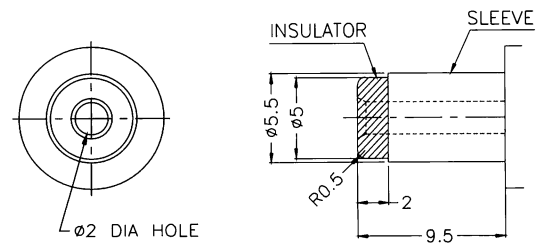
**Fig. 7 MATCHING PLUG**

(PIN 1.7Ø)



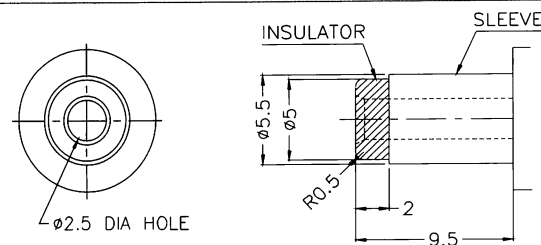
**Fig. 8 MATCHING PLUG**

(PIN 2.0Ø)



**Fig. 9 MATCHING PLUG**

(PIN 2.5Ø)



**Fig. 10 MATCHING PLUG**

(PIN 3.0Ø)

